



US011927418B2

(12) **United States Patent**  
**Zeider et al.**

(10) **Patent No.:** **US 11,927,418 B2**  
(45) **Date of Patent:** **\*Mar. 12, 2024**

(54) **INCREASED CAPACITY AMMUNITION  
MAGAZINE**

USPC ..... 42/50, 49.01, 6, 7; 89/33.1  
See application file for complete search history.

(71) Applicant: **Shield Arms, LLC**, Bigfork, MT (US)

(56) **References Cited**

(72) Inventors: **Brandon Michael Zeider**, Bigfork, MT (US); **Seth Martin Berglee**, Joliet, MT (US); **Raymond Dean Brandly**, Oklahoma City, OK (US); **Cody Blighe Greenfield**, Norman, OK (US)

U.S. PATENT DOCUMENTS

(73) Assignee: **Shield Arms, LLC**, Bigfork, MT (US)

(\*) Notice: Subject to any disclaimer, the term of this patent is extended or adjusted under 35 U.S.C. 154(b) by 0 days.

295,563 A	3/1884	Lee et al.
303,992 A	8/1884	Diss
999,387 A	8/1911	Mauser
1,348,172 A	8/1920	Hammond
1,407,633 A	2/1922	Burton
2,715,290 A	8/1955	Harvey
2,715,789 A	8/1955	Garand
2,777,235 A	1/1957	Hopkins
2,903,809 A	9/1959	Stoner
3,087,270 A	4/1963	Stoner
3,440,751 A	4/1969	Fremont
3,619,929 A	11/1971	Fremont

(Continued)

This patent is subject to a terminal disclaimer.

FOREIGN PATENT DOCUMENTS

(21) Appl. No.: **18/337,075**

DE	3422334 A1	12/1985
EP	0154357 B1	8/1988
WO	2019144160 A1	7/2019

(22) Filed: **Jun. 19, 2023**

(65) **Prior Publication Data**

US 2023/0332854 A1 Oct. 19, 2023

*Primary Examiner* — Jonathan C Weber

(74) *Attorney, Agent, or Firm* — Wood Herron & Evans LLP

**Related U.S. Application Data**

(63) Continuation of application No. 17/084,057, filed on Oct. 29, 2020, now Pat. No. 11,747,102.

(60) Provisional application No. 62/927,158, filed on Oct. 29, 2019.

(51) **Int. Cl.**  
*F41A 9/71* (2006.01)  
*F41A 9/69* (2006.01)

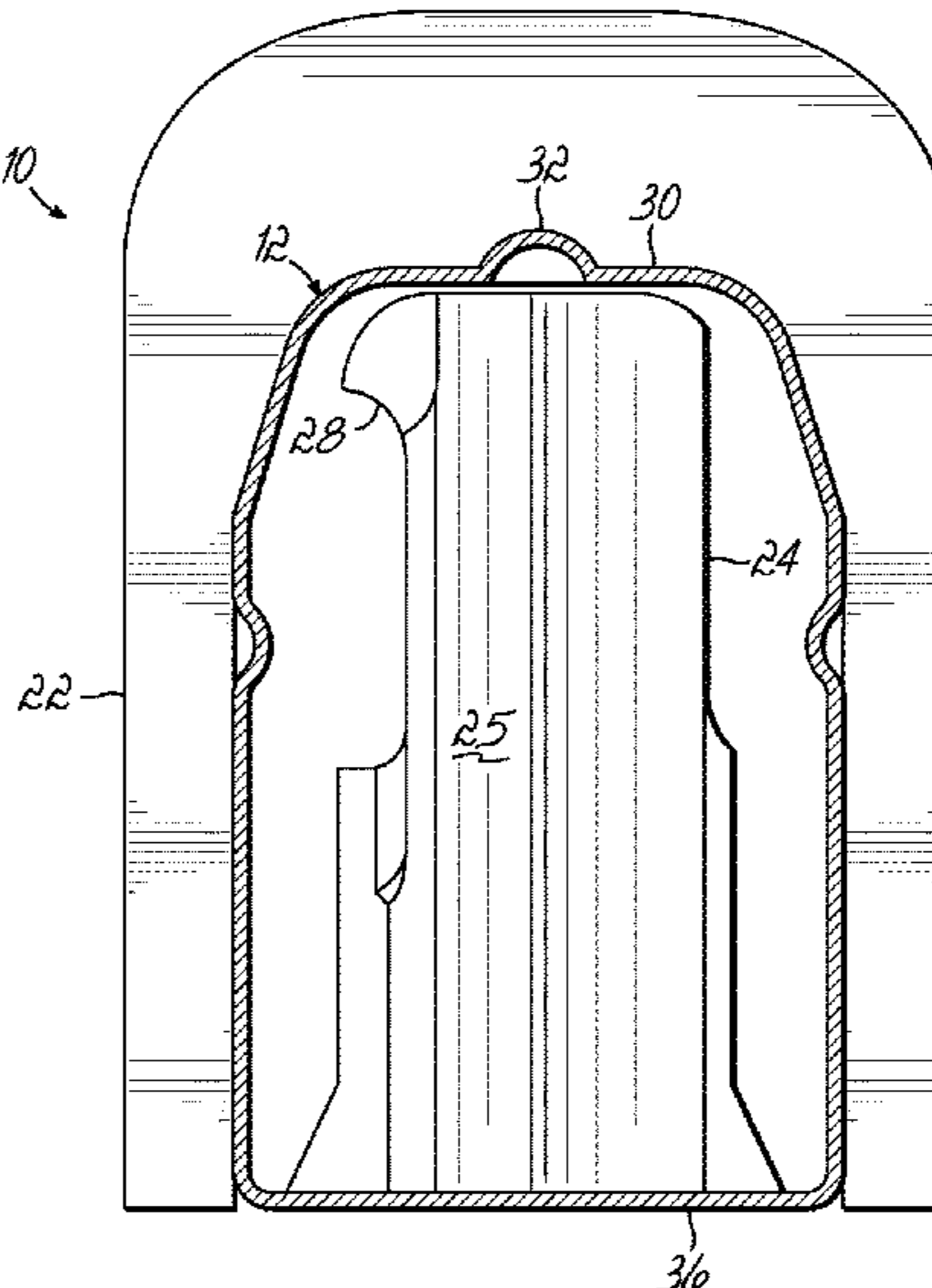
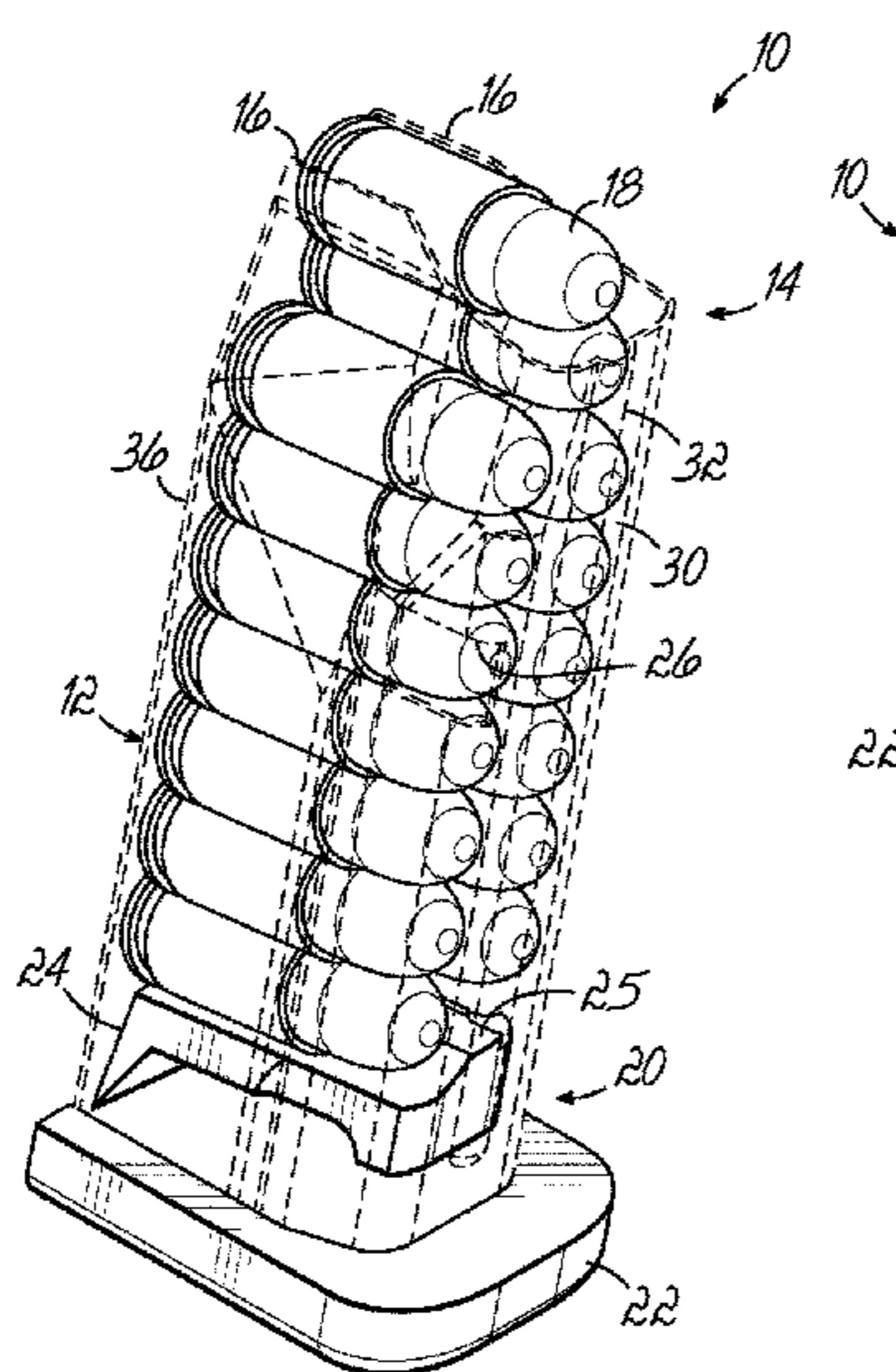
(57) **ABSTRACT**

Provided is an increased capacity firearm ammunition magazine with a metallic body. The body is dimensioned to compatibly replace a (OEM) polymer or polymer over metal single stack magazine. The body has walls with exterior dimensions compatibly matching those of the OEM magazine and that are thinner than those of the OEM magazine. The thinner walls allow an at least partially laterally offset arrangement of cartridges therein. A longitudinal exterior ridge extends along a forward wall of the body and is configured from the metallic body walls and sized to compensate for forward-to-aft dimensioning difference compared to that of the OEM magazine.

(52) **U.S. Cl.**  
CPC .. *F41A 9/71* (2013.01); *F41A 9/69* (2013.01)

(58) **Field of Classification Search**  
CPC ..... *F41A 9/61*; *F41A 9/64*; *F41A 9/65*; *F41A 9/69*; *F41A 9/71*

**19 Claims, 5 Drawing Sheets**



(56)

**References Cited**

U.S. PATENT DOCUMENTS

3,736,686	A	6/1973	Moller et al.
4,589,218	A	5/1986	Teppa
4,638,581	A	1/1987	Moore
4,825,744	A	5/1989	Glock
5,099,595	A	3/1992	Chesnut et al.
5,113,605	A	5/1992	Kim
5,495,687	A	3/1996	Waiser
5,555,661	A	9/1996	Yap
5,566,488	A	10/1996	Yap
5,704,148	A	1/1998	Valorose
5,755,052	A	5/1998	Keeney
5,956,878	A	9/1999	Yang
7,937,872	B1	5/2011	Fluhr
9,347,721	B2	5/2016	Larson, Jr.
10,619,959	B1	4/2020	Loveday, IV et al.
11,747,102	B2	9/2023	Zeider et al.
2012/0124879	A1	5/2012	Larue
2015/0192377	A1	7/2015	Larson, Jr.
2017/0051990	A1	2/2017	Purkiss
2018/0202734	A1	7/2018	Dowling et al.
2019/0339035	A1	11/2019	Coombs et al.
2021/0080204	A1	3/2021	Yeates et al.



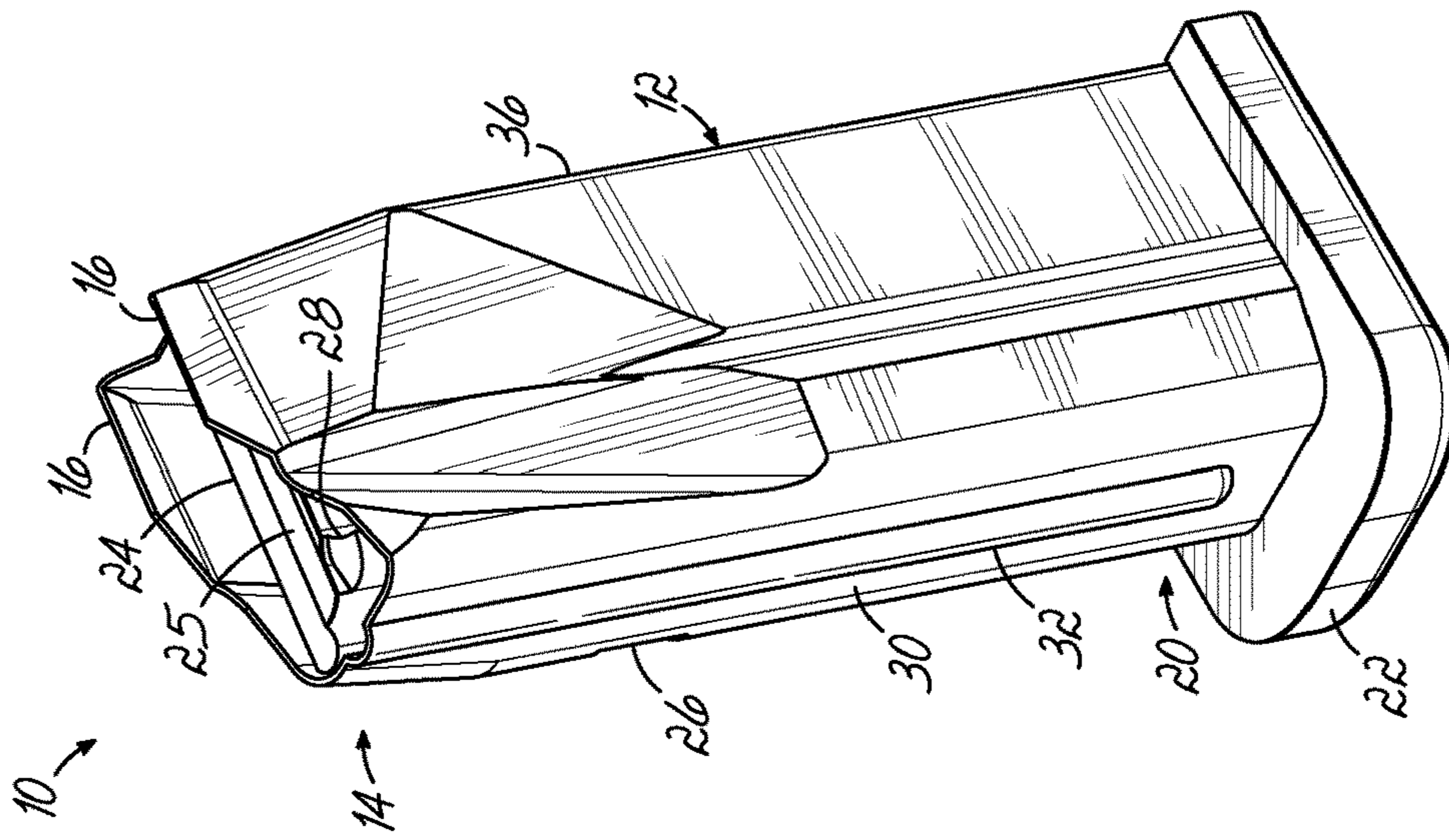


FIG. 1

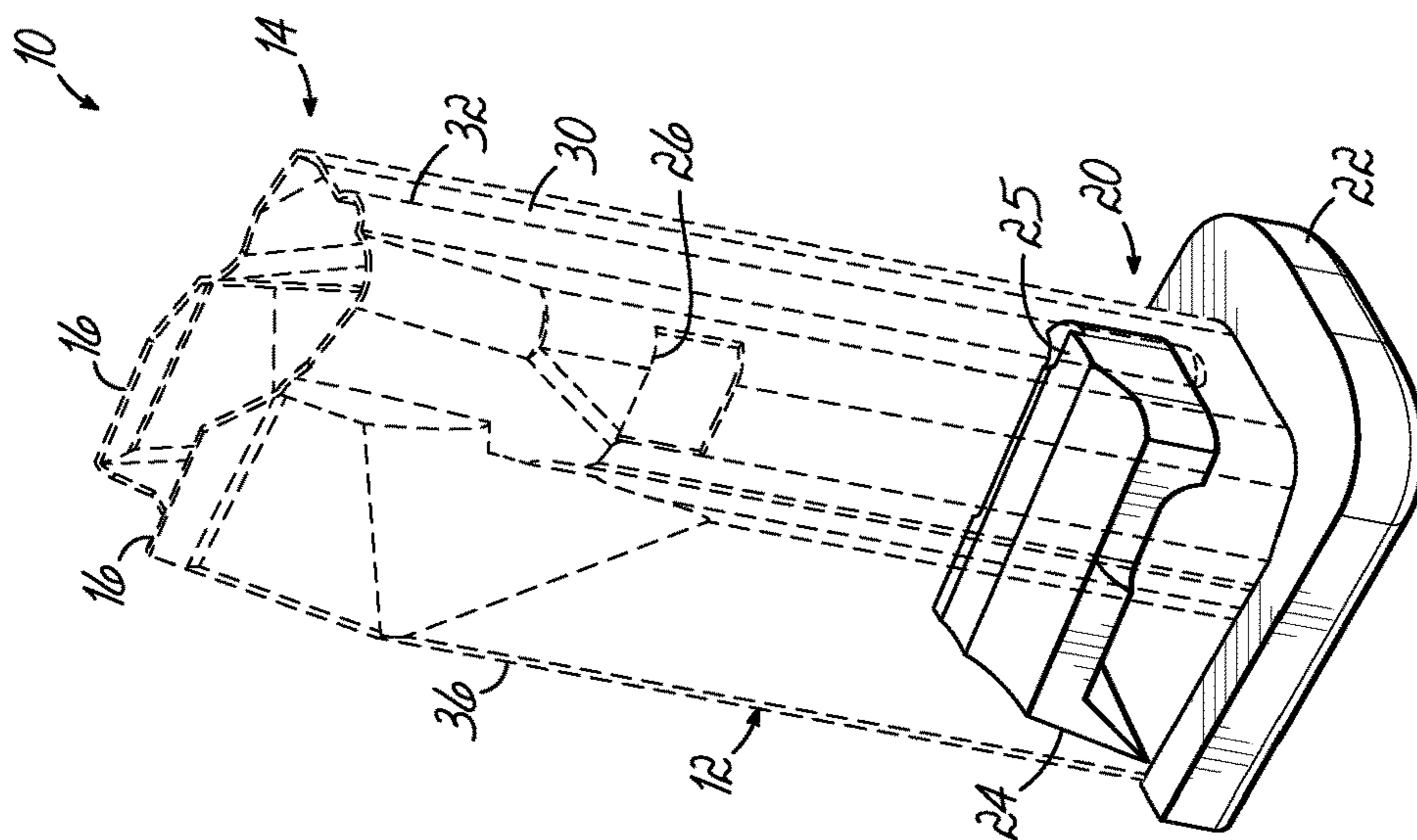


FIG. 2

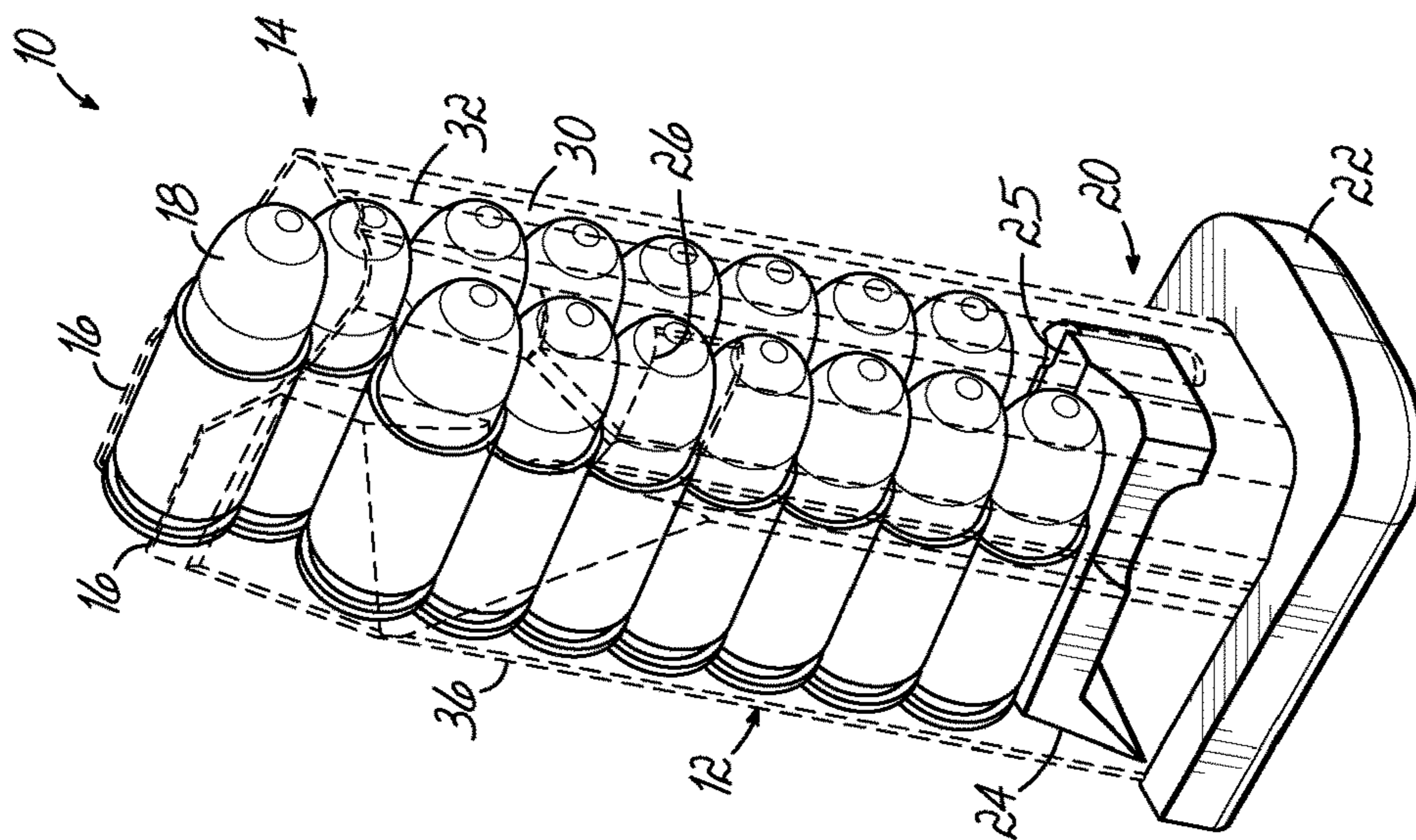


FIG. 3

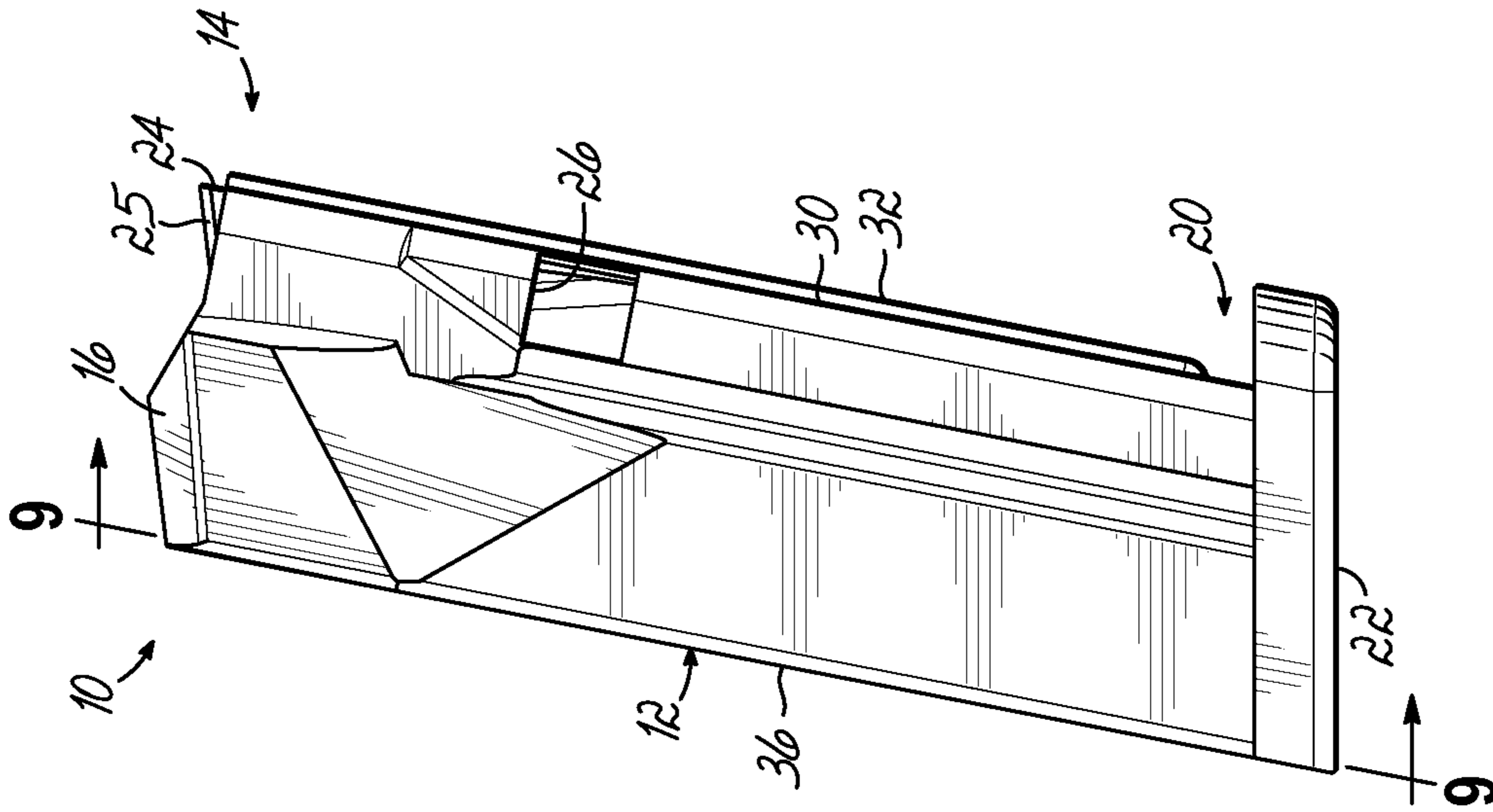


FIG. 4

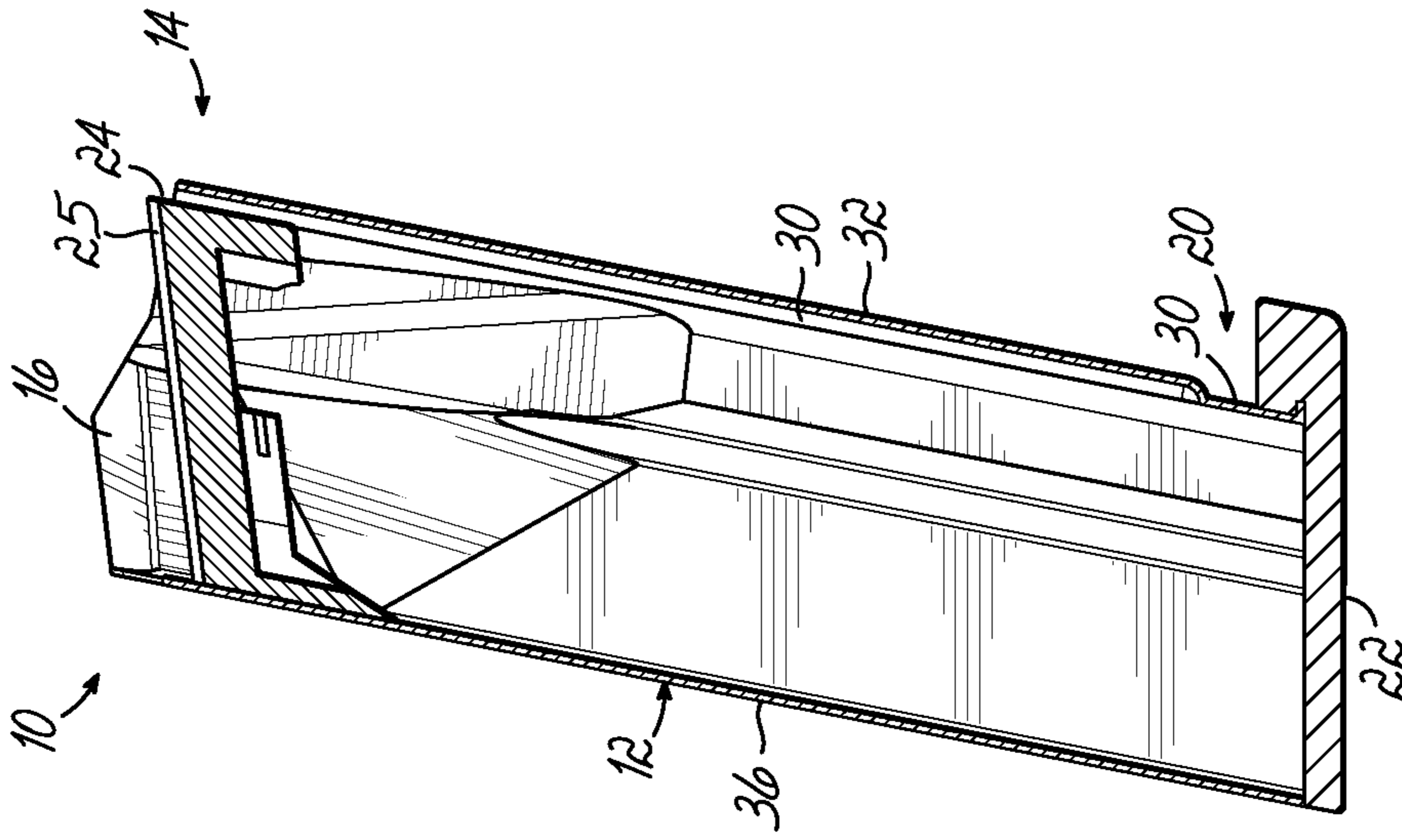


FIG. 5

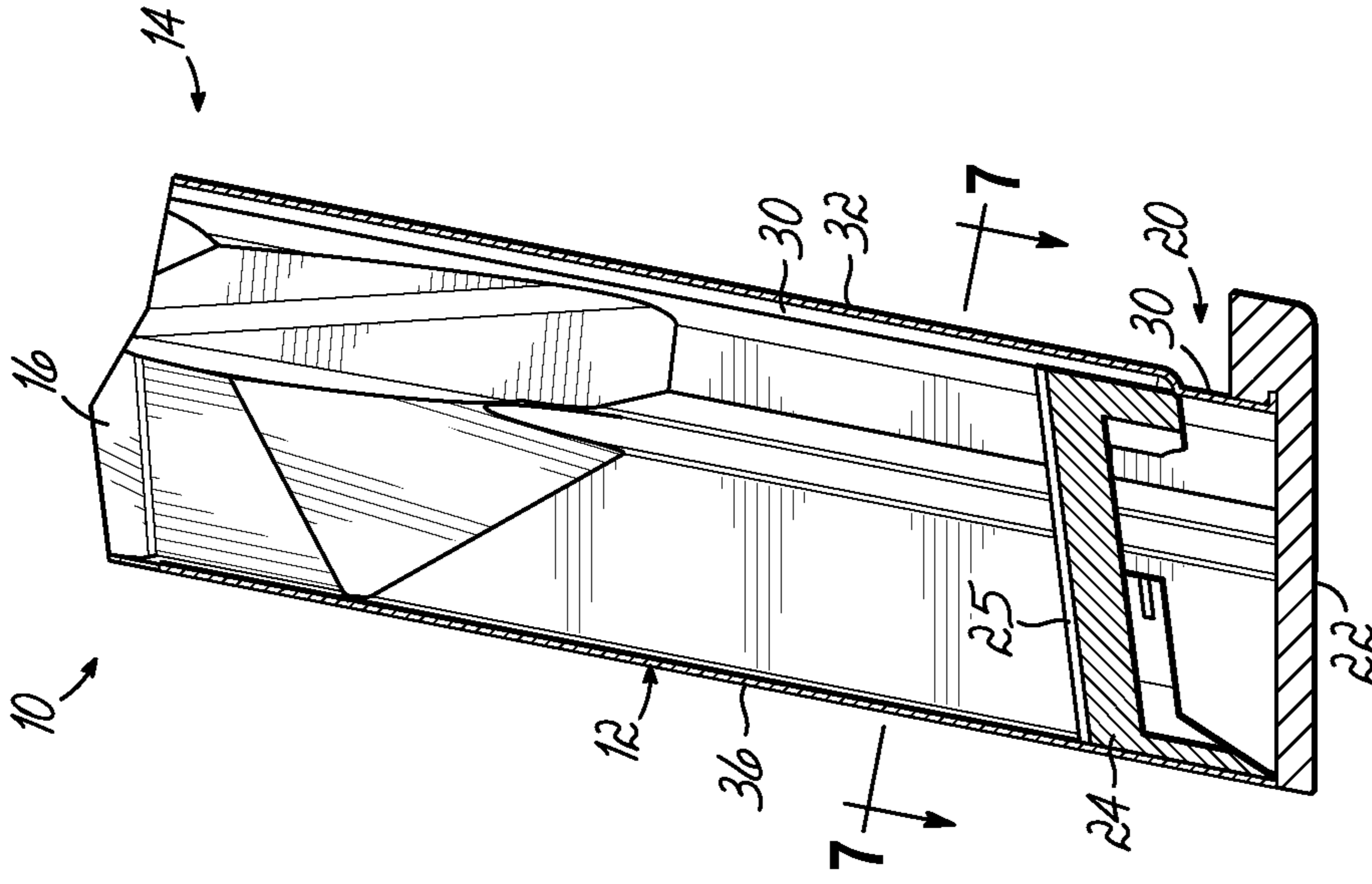


FIG. 6





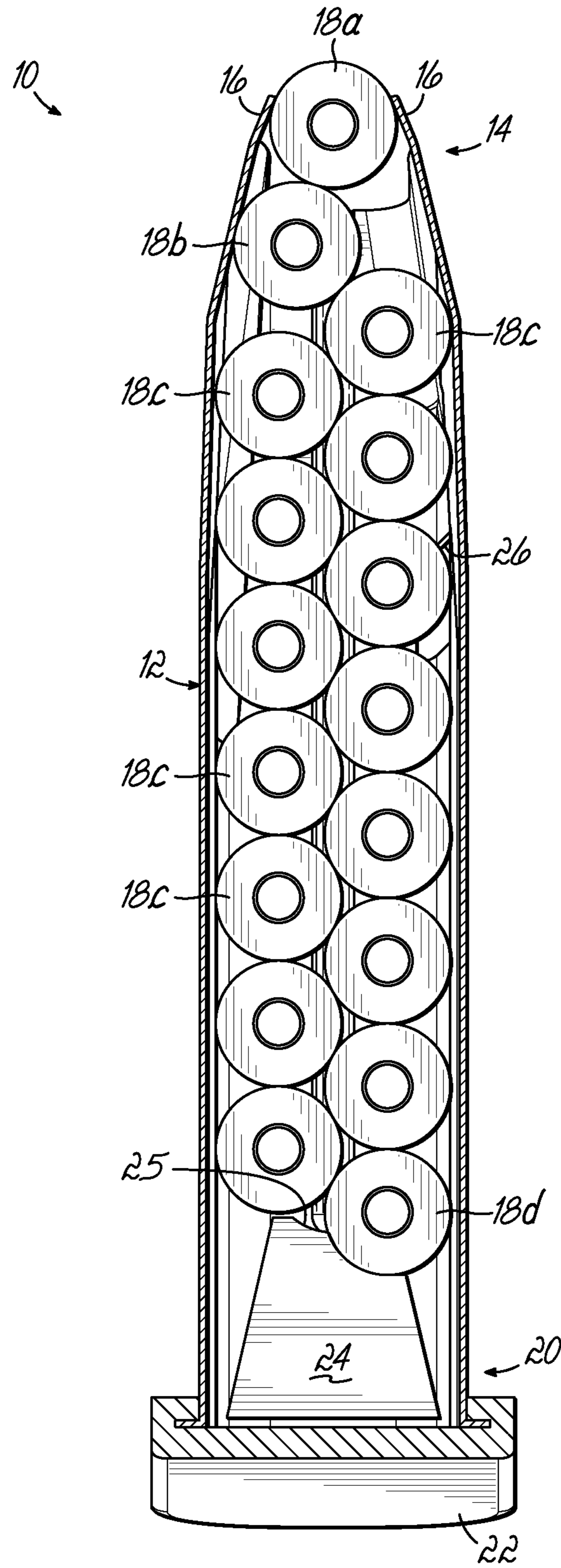


FIG. 9

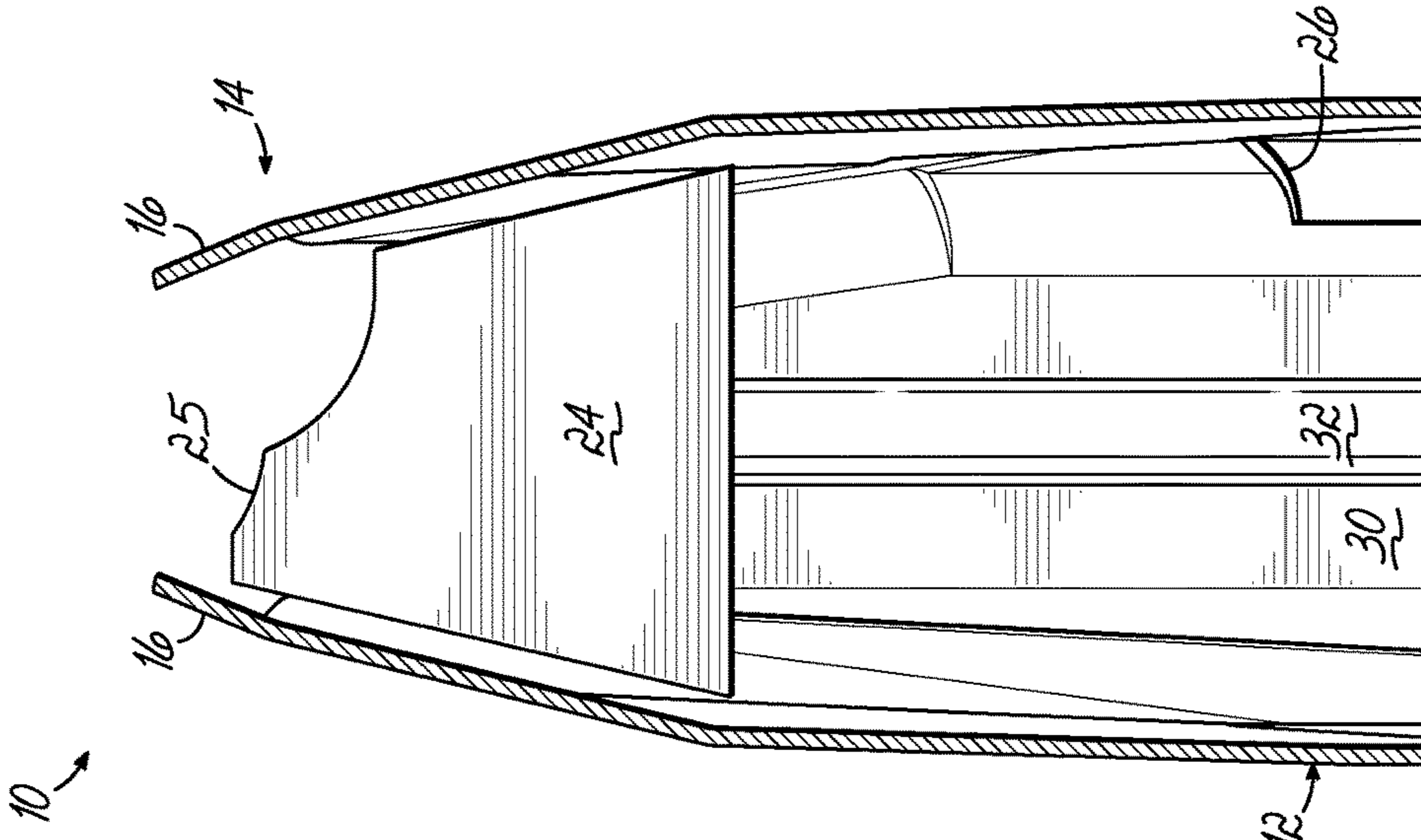


FIG. 10

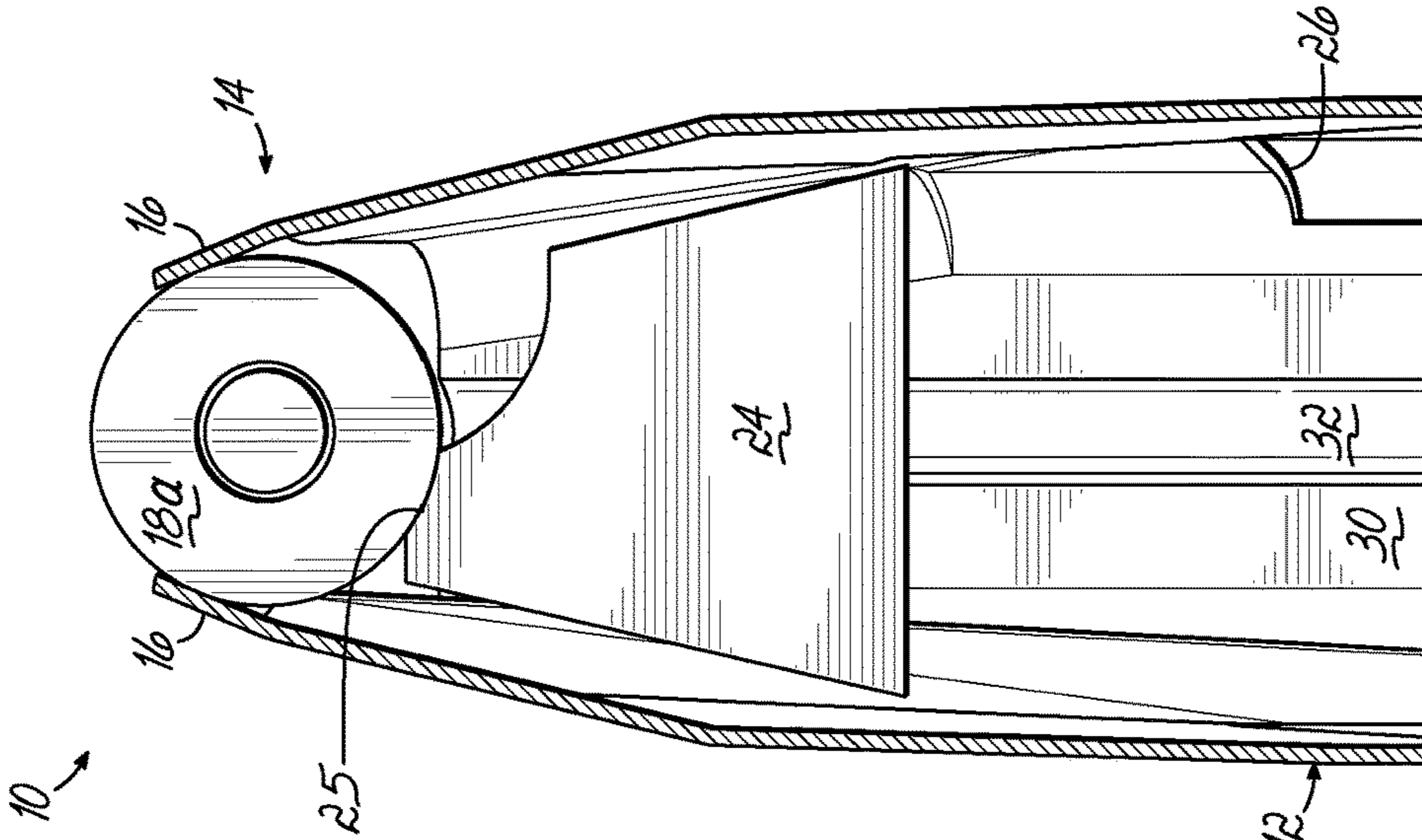


FIG. 11

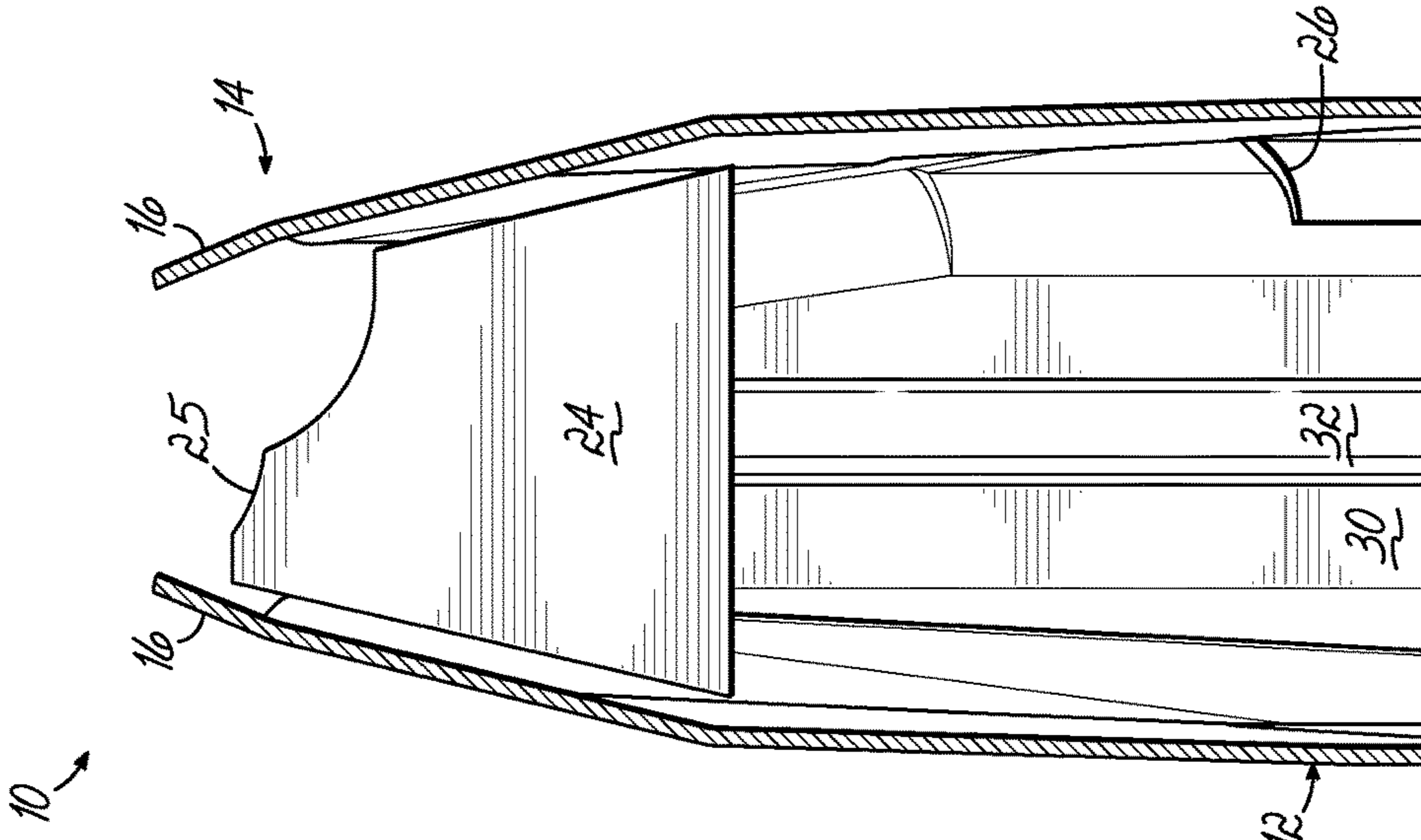


FIG. 12



## INCREASED CAPACITY AMMUNITION MAGAZINE

### RELATED APPLICATIONS

This application is a continuation of U.S. patent application Ser. No. 17/084,057 filed Oct. 29, 2020, which claims the priority benefit of U.S. Provisional Patent Application No. 62/927,158 filed Oct. 29, 2019, both of which are hereby incorporated by reference herein as if fully set forth in their entirety.

### TECHNICAL FIELD

The present invention relates to removable ammunition magazines for handguns. More particularly, it relates to a magazine that provides increased capacity over a single stack magazine of similar tube length without increasing its external width and compensating for fore/aft size reduction.

### BACKGROUND

Semiautomatic handguns typically use removable ammunition magazines that are insertable into a magazine well formed in the grip of the handgun. These are typically known as “box” magazines and have a tubular body that is substantially rectangular in cross section. A row of ammunition cartridges is aligned within the body and is pushed upwardly by a follower that is biased by a compression spring. The bottom end of the body is closed by a removable floor plate that retains the spring and provides an end against which the springs bears. At the top end of the body, known as the mouth, an ammunition cartridge is presented and held in position by feed lips. As the slide or bolt face cycles forward, this presented cartridge is stripped from the feed lips and guided into the chamber of the barrel.

The size and shape of these removable handgun magazines vary depending on the model of the handgun, caliber of the ammunition, and number of ammunition cartridges to be held. Some handguns require a specialized magazine that is specific to the handgun’s make or model. In other examples, such as the M1911A1, standards have been adopted for a non-proprietary handgun pattern such that ammunition magazines will generally fit and operate in any handgun of that pattern, regardless of the manufacturer.

Some handgun magazines hold rimless cartridges substantially parallel to one another in a single row. These are known as “single stack” magazines. Other magazine designs hold cartridges substantially parallel to each other in an alternating double column. These are known as “double stack” magazines. A double stack magazine will hold more rounds than a single stack magazine of the same length, but is significantly wider. A wider, double stack magazine requires the handgun to have a wider grip, which may be more difficult for a smaller hand to hold and may make the grip of the handgun less concealable under clothing.

The follower in a single stack magazine will typically have a flat top surface that bears against an ammunition cartridge and will be retained by the feed lips when the cartridges have been depleted. A double stack magazine follower is laterally asymmetrical to induce the staggered position of rounds as they are loaded into the magazine. A single round will be centered by the feed lips, even though the force applied by the follower may be off-center because of its laterally asymmetric shape.

The body of most detachable box magazines is made from either metal (such as steel or aluminum), a molded polymer

plastic material, or a combination of these materials. Original equipment manufacturer (OEM) magazines made by Glock™ for its handguns have a body made from a combination of materials and may be described as either polymer with a full or partial metal liner, or as a metal body with a polymer jacket. This combination of materials has advantageous qualities, but it results in a relatively thick magazine wall. Some aftermarket magazines for Glock™ handguns are all or mostly polymer. Magazines for most Glock™ handgun models are of the double stack variety. However, Glock™ has designed and sold at least one model (e.g., Glock 43 or 43X) in which the magazine holds cartridges in only a single row (single stack) or in only slightly staggered rows in order to keep the overall thickness of the handgun to a minimum. However, because it does not accept a double stack magazine, the ammunition capacity of this model’s single stack magazine is less than that of a double stack magazine of similar length.

If a steel magazine is made to fit in the cross-sectional space designed for a polymer magazine (or in the case of Glock™ OEM magazines, polymer over steel), the increase in interior side-to-side width can allow increased capacity by going from a single stack to a double stack. However, it leaves too much interior room in the front to back (fore/aft) direction. This increased interior front-to-back space is a problem because the rounds can ride too far forward and make contact with the slide stop. Others have filled such extra space with a shim, attached to either the interior or exterior of the forward wall of the magazine tube. However, this approach requires an additional manual step in the manufacturing process, adding cost and weight.

### SUMMARY OF THE INVENTION

The present invention provides an ammunition magazine with reduced-thickness metallic body walls, allowing a stack of cartridges to be held substantially parallel to each other with a partial staggering of rounds. This allows more rounds to be held in a magazine of both the same length and width of the prior single stack (or only slightly offset) magazine. A longitudinal ridge is formed in the metallic forward wall of the magazine tube so that the interior surfaces that contact ammunition cartridges remains unchanged and the space is compensated for without using any significant amount of additional material.

The invention provides an increased capacity firearm ammunition magazine with a metallic body. The body is dimensioned to compatibly replace a (OEM) polymer or polymer over metal single stack magazine. The body has walls with exterior dimensions compatibly matching those of the OEM magazine and that are thinner than those of the OEM magazine. The thinner walls allow an at least partially laterally offset arrangement of cartridges therein. A longitudinal exterior ridge extends along a forward wall of the body and is configured from the metallic body walls and sized to compensate for forward-to-aft dimensioning difference compared to that of the OEM magazine.

Other aspects, features, benefits, and advantages of the present invention will become apparent to a person of skill in the art from the detailed description of various embodiments with reference to the accompanying drawing figures, all of which comprise part of the disclosure.

### BRIEF DESCRIPTION OF THE DRAWINGS

Like reference numerals are used to indicate like parts throughout the various drawing figures, wherein:



3

FIG. 1 is a front slightly askew view of a fully loaded, increased capacity ammunition magazine according to an embodiment of the present invention, with the magazine body shown in phantom;

FIG. 2 is a similar thereof with the ammunition cartridges removed;

FIG. 3 an isometric view of an increased capacity ammunition magazine according to an embodiment of the present invention empty and with the follower raised;

FIG. 4 is a side sectional view thereof;

FIG. 5 is a side sectional view with the follower lowered;

FIG. 6 is a rear longitudinal sectional view with a single round of ammunition loaded;

FIG. 7 a cross-sectional view taken substantially along line 7-7 of FIG. 6;

FIG. 8 is a top view taken substantially along line 8-8 of FIG. 5;

FIG. 9 a rear longitudinal sectional view taken substantially along line 9-9 of FIG. 4 in which the magazine is filled with cartridges;

FIG. 10 is an enlarged rear sectional view of the top portion of the magazine with two cartridges remaining;

FIG. 11 is a similar rear sectional view with one cartridge remaining; and

FIG. 12 is a similar rear sectional view with no cartridges remaining.

#### DETAILED DESCRIPTION

With reference to the drawing figures, this section describes particular embodiments and their detailed construction and operation. Throughout the specification, reference to “one embodiment,” “an embodiment,” or “some embodiments” means that a particular described feature, structure, or characteristic may be included in at least one embodiment. Thus, appearances of the phrases “in one embodiment,” “in an embodiment,” or “in some embodiments” in various places throughout this specification are not necessarily all referring to the same embodiment. Furthermore, the described features, structures, and characteristics may be combined in any suitable manner in one or more embodiments. In view of the disclosure herein, those skilled in the art will recognize that the various embodiments can be practiced without one or more of the specific details or with other methods, components, materials, or the like. In some instances, well-known structures, materials, or operations are not shown or not described in detail to avoid obscuring aspects of the embodiments. “Forward” indicates the direction of the muzzle and the direction in which projectiles are fired, while “rearward” indicates the opposite direction. “Lateral” or “transverse” indicates a side-to-side direction generally perpendicular to the axis of the barrel. Although firearms may be used in any orientation, “left” and “right” will generally indicate the sides according to the user’s orientation, “top” or “up” will be the upward direction when the firearm is gripped in the ordinary manner.

Referring first to FIGS. 1-4, therein is shown a detachable box magazine 10 for a handgun according to one embodiment of the present invention. Like other box magazines, it includes a generally tubular body 12 having an open upper end 14 (also known as the “mouth”) with feed lips 16 that hold an ammunition cartridge 18 in place for feeding when the magazine 10 is inserted into a firearm. In FIGS. 1 and 2, the tube is shown in phantom so that the cartridges (FIG. 1) and follower 24 can be seen. A bottom end 20 of the body 12 is also open and accepts attachment of a base pad 22 or other removable closure member. According to one aspect of

4

this embodiment, the magazine body 12 is formed of sheet metal material, such as steel, that will provide sufficient strength at a minimum of thickness. Typically, the body 12 is formed by stamping (or roll forming) with a longitudinal seam (not shown). The body 12 may include one or more cut-outs 26 that allow the magazine 10 to be retained by a magazine catch (not shown) in the magazine well of the firearm.

The illustrated embodiment is intended to replace a single stack or only slightly offset type magazine having walls made of a thicker, polymer material, but with corresponding exterior dimensions so that it may be substituted and function otherwise identically in the same firearm. The illustrated magazine 10 is dimensioned for a Glock 43X handgun, which holds 9×19 mm cartridges (also known as 9 mm Parabellum or 9 mm Luger) and replaces a ten-round polymer magazine with one that holds fifteen rounds in the same overall space. The present invention may be adapted to provide increased ammunition capacity replacing a single stack or slightly staggered row polymer magazine for most any caliber or model.

Referring now also to FIG. 9, the body 14 holds a staggered or laterally offset row of cartridges 18, each situated substantially parallel to each other. At the bottom of the row of cartridges 18 is a follower 24 that is spring-biased toward the upper end 14 of the body 12. For clarity, the well-known compression spring is not shown, but would be compressed within the body 12 between the follower 24 and base pad 22 or other bottom closure member. As is well known, the spring-biased follower 24 will push the row(s) of cartridges 18 toward the upper end 14 and feed lips 16 as cartridges 18 are removed manually, or by cycling of the firearm’s bolt/slide.

In a single stack magazine, the follower has a flat, generally laterally symmetric surface that bears against the cartridge. As shown in FIGS. 7-11, the follower 24 is laterally asymmetric so that the cartridge 18d against which it bears will be shifted to one side (in the illustrated embodiment, the right side) as additional cartridges 18 are loaded, causing subsequent cartridges 18 loaded into the magazine 10 to position themselves in this staggered or offset alignment. The follower 24 may be hollow and open to the bottom to reduce weight and material and/or to partially receive the internal magazine spring (not shown).

As shown in FIGS. 9-11, the cartridge 18a positioned against the feed lips 16 is substantially centered, the second-in-line cartridge 18b rides against an angled wall of the body 12 toward the center, while all of the remaining cartridges 18c are in an alternating staggered or at least partially offset positions. Unlike other magazine designs having a neck portion in which at least a second-in-line cartridge is also centered directly below the top cartridge, the present invention maximizes capacity by centering only the top cartridge and partially centering the second-in-line cartridge 18b. Magazines with a narrowed neck may also require an elongated follower, which sacrifices capacity. As shown in FIG. 11, when only one cartridge 18a remains in the magazine 10, the laterally converging walls at the upper end 14 of the body 12 center the cartridge 18 between the feed lips 16 and the raised platform area 25 of the follower 24 holds it in place.

Referring now also to FIG. 12, when the magazine 10 is empty, the follower 24 seats in the converging upper end 14 of the body 12. A notch 28 at the forward edge of the follower 24 may be provided to engage a slide or bolt catch, causing the action to remain open after the last round is discharged in a well-known manner.



## 5

The magazine 10 of the present invention provides increased capacity with a width dimension identical to that of the prior art single stack (or slightly staggered) magazine by utilizing thinner metallic walls that correspond to the exterior dimension of the lower-capacity magazine it replaces and staggering or offsetting all of the cartridges 18 below the upper most round without utilizing a narrowed neck region. The reduction in wall thickness provides the increased interior width needed to accommodate the increased capacity of cartridges, but it creates a problem of too much space in the forward/aft direction. If the cartridges are allowed to shift forward in the magazine tube/body, they will not be positioned to correctly or reliably feed from the lips. If the forward wall is set in to correctly guide the position of the cartridges, then the magazine will fit too loosely in the magazine well of the firearm.

As best seen in FIGS. 3, 7, and 8, according to one embodiment of the invention, a forwardly projecting longitudinal ridge 32 is formed in the forward wall 30 of the metallic body 12. The ridge 32 can be stamped or roll formed into the metal as it is formed into the shape of the body 12. The forward wall 30 is positioned (in the fore/aft direction) to correctly guide the cartridges 18 and follower 24 and the ridge 32 guides the magazine body 12 to be correctly spaced in the magazine well (indicated with dash-dot line 34 in FIG. 8). This laterally centered position of the ridge 32 does not interfere with the feeding of the cartridges 18 or movement of the follower 24. The length of the ridge depends on what is necessary to adequately support the seated magazine 10. In the illustrated embodiment, the ridge 32 extends all the way to the top end 14 of the body 12, but it stops slightly short of the bottom end 20, where it could interfere with attachment of the base pad 22. If desired, or needed to properly feed, the compensated-for space can be divided between a forward ridge 32 and a ridge (not shown) in the rear wall 36 of the body 12. Also if desired, the bottom end 20 of the body 12 could be shaped to mimic that of the OEM polymer or polymer over metal magazine so that an OEM base plate or extension (not shown) could be used.

While one or more embodiments of the present invention have been described in detail, it should be apparent that modifications and variations thereto are possible, all of which fall within the true spirit and scope of the invention. Therefore, the foregoing is intended only to be illustrative of the principles of the invention. Further, since numerous modifications and changes will readily occur to those skilled in the art, it is not intended to limit the invention to the exact construction and operation shown and described. The invention resides in each individual feature described herein, alone, and in any and all combinations and subcombinations of any and all of those features. Accordingly, all suitable modifications and equivalents may be included and considered to fall within the scope of the invention, defined by the following claim or claims.

What is claimed is:

1. A pistol magazine, comprising:

a metallic tubular body defining a hollow interior and having a forward wall, a rearward wall, a first side wall, a second opposite side wall, an open top with feed lips, and an open bottom,

a removable closure member enclosing the open bottom of the body,

the forward wall having at least one longitudinally extending rib formed therein and projecting forwardly therefrom,

at least one of the first and second side walls having a cut-out with an edge configured to interact with a

## 6

magazine catch of a polymer frame pistol configured to accommodate a single stack polymer or polymer-over-metal magazine,

a first internal dimension between the forward wall and the rearward wall dimensioned to fit 9×19 mm cartridges,

a second internal dimension between the first side wall and the second side wall dimensioned to fit 9×19 mm cartridges with a staggered arrangement of the cartridges,

the body having a height dimension configured to fit within a handgrip of the polymer frame pistol and locate the removable closure member directly adjacent to the bottom of the handgrip when the magazine is inserted into the handgrip of the polymer frame pistol,

a first external dimension of the body from the forward-most surface of the longitudinally extending rib to the rearmost surface of the rearward wall matching the corresponding exterior dimension of the single stack polymer or polymer-over-metal magazine, and

a second external dimension of the body from the external surface of the first side wall to the external surface of the second side wall matching the corresponding exterior dimension of the single stack polymer or polymer-over-metal magazine.

2. The magazine of claim 1 wherein the magazine has an increased ammunition capacity of at least 50% over and above that of the single stack polymer or polymer-over-metal magazine.

3. The magazine of claim 1 wherein the magazine has an ammunition capacity of fifteen rounds and the single stack polymer or polymer-over-metal magazine has an ammunition capacity of ten rounds.

4. The magazine of claim 1 wherein an upper portion of the body is formed such that a first upper cartridge is centered side-to-side, a third cartridge down from the first cartridge is fully staggered side-to-side, and a second cartridge down from the first cartridge is only partially staggered side-to-side.

5. A pistol magazine, comprising:

a metallic tubular body defining a hollow interior and having a forward wall, a rearward wall, a first side wall, a second opposite side wall, an open top with feed lips, and an open bottom,

a removable closure member enclosing the open bottom of the body,

the forward wall having at least one longitudinally extending spacer projecting forwardly therefrom,

at least one of the first and second side walls having an edge configured to interact with a magazine catch of a polymer frame pistol configured to accommodate a single stack polymer or polymer-over-metal magazine,

a first internal dimension between the forward wall and the rearward wall dimensioned to fit 9×19 mm cartridges,

a second internal dimension between the first side wall and the second opposite side wall dimensioned to fit 9×19 mm cartridges with a staggered arrangement of the cartridges,

the body having a height dimension configured to fit within a handgrip of the polymer frame pistol and locate the removable closure member directly adjacent to the bottom of the handgrip when the magazine is inserted into the handgrip of the polymer frame pistol,

a first external dimension of the body from the forward-most surface of the spacer to the rearmost surface of the



7

rearward wall matching the corresponding exterior dimension of the single stack polymer or polymer-over-metal magazine, and

a second external dimension of the body from the external surface of the first side wall to the external surface of the second side wall matching the corresponding exterior dimension of the single stack polymer or polymer-over-metal magazine.

6. The magazine of claim 5 wherein the magazine has an increased ammunition capacity of at least 50% over and above that of the single stack polymer or polymer-over-metal magazine.

7. The magazine of claim 5 wherein the magazine has an ammunition capacity of fifteen rounds and the single stack polymer or polymer-over-metal magazine has an ammunition capacity of ten rounds.

8. The magazine of claim 5 wherein an upper portion of the body is formed such that a first upper cartridge is centered side-to-side, a third cartridge down from the first cartridge is fully staggered side-to-side, and a second cartridge down from the first cartridge is only partially staggered side-to-side.

9. The magazine of claim 5 wherein the spacer is integrally formed as a part of the forward wall of the body.

10. The magazine of claim 9 wherein the spacer is a protrusion stamped into the forward wall.

11. The magazine of claim 10 wherein the protrusion is a rib.

12. A pistol magazine, comprising:

a metallic tubular body defining a hollow interior and having a forward wall, a rearward wall, a first side wall, a second opposite side wall, an open top with feed lips, and an open bottom,

a removable closure member enclosing the open bottom of the body,

at least one longitudinally extending spacer on the forward wall projecting forwardly therefrom,

an edge on at least one of the first and second side walls configured to interact with a magazine catch of a polymer frame pistol configured to accommodate a single stack polymer or polymer-over-metal magazine, a first interior dimension between the forward wall and the rearward wall dimensioned to fit 9×19 mm cartridges,

8

a second interior dimension between the first side wall and the second side wall dimensioned to fit 9×19 mm cartridges with a staggered arrangement of the cartridges,

a first exterior dimension between the forwardmost surface of the spacer and the rearward wall matching the corresponding exterior dimension of the single stack polymer or polymer-over-metal magazine,

a second exterior dimension between the first side wall and the second side wall matching the corresponding exterior dimension of the single stack polymer or polymer-over-metal magazine, and

the body having a height dimension configured to fit within a handgrip of the polymer frame pistol and locate the removable closure member directly adjacent to the bottom of the handgrip when the magazine is inserted into the handgrip of the polymer frame pistol.

13. The magazine of claim 12 wherein the magazine has an increased ammunition capacity of at least 50% over and above that of the single stack polymer or polymer-over-metal magazine.

14. The magazine of claim 12 wherein the magazine has an ammunition capacity of fifteen rounds and the single stack polymer or polymer-over-metal magazine has an ammunition capacity of ten rounds.

15. The magazine of claim 12 wherein an upper portion of the body is formed such that a first upper cartridge is centered side-to-side, a third cartridge down from the first cartridge is fully staggered side-to-side, and a second cartridge down from the first cartridge is only partially staggered side-to-side.

16. The magazine of claim 12 wherein the spacer is integrally formed as a part of the forward wall of the body.

17. The magazine of claim 16 wherein the spacer is a protrusion stamped into the forward wall.

18. The magazine of claim 17 wherein the protrusion is a rib.

19. The magazine of claim 12 wherein the edge is an edge of a cut-out formed on the at least one of the first and second side walls.

\* \* \* \* \*