



US010704848B1

(12) **United States Patent**
Zeider et al.

(10) **Patent No.:** **US 10,704,848 B1**
(45) **Date of Patent:** **Jul. 7, 2020**

(54) **RECEIVER WITH INTEGRAL HINGE FOR FOLDING BUFFER EXTENSION AND BUTT STOCK ASSEMBLY**

(71) Applicant: **Shield Development Group, LLC**, Bigfork, MT (US)
(72) Inventors: **Brandon Michael Zeider**, Bigfork, MT (US); **Seth Martin Berglee**, Joliet, MT (US); **Michael Anthony Hebert**, Kalispell, MT (US); **Raymond Dean Brandly**, Oklahoma City, OK (US); **Eric Kyle Squires**, Yukon, OK (US)

(73) Assignee: **Shield Development Group, LLC**, Bigfork, MT (US)

(*) Notice: Subject to any disclaimer, the term of this patent is extended or adjusted under 35 U.S.C. 154(b) by 0 days.

(21) Appl. No.: **16/444,403**

(22) Filed: **Jun. 18, 2019**

Related U.S. Application Data

(60) Provisional application No. 62/686,260, filed on Jun. 18, 2018.

(51) **Int. Cl.**
F41C 23/04 (2006.01)
F41A 3/66 (2006.01)
F41A 3/84 (2006.01)

(52) **U.S. Cl.**
CPC *F41A 3/66* (2013.01); *F41A 3/84* (2013.01); *F41C 23/04* (2013.01)

(58) **Field of Classification Search**
CPC *F41C 23/04*; *F41C 23/14*; *F41C 23/20*
See application file for complete search history.

(56) **References Cited**

U.S. PATENT DOCUMENTS

7,966,761 B1	6/2011	Kuczynko et al.	
8,245,429 B2	8/2012	Kuczynko et al.	
8,631,601 B2	1/2014	Langevin et al.	
8,656,623 B1	2/2014	Chvala	
8,769,855 B2	7/2014	Law	
8,991,088 B1	3/2015	Young	
9,121,663 B2	9/2015	Troy et al.	
9,347,738 B1	5/2016	Schumacher	
9,546,895 B2	1/2017	Flasza et al.	
9,719,754 B2	8/2017	Law	
2011/0131857 A1*	6/2011	Kuczynko	F41A 3/84 42/73

(Continued)

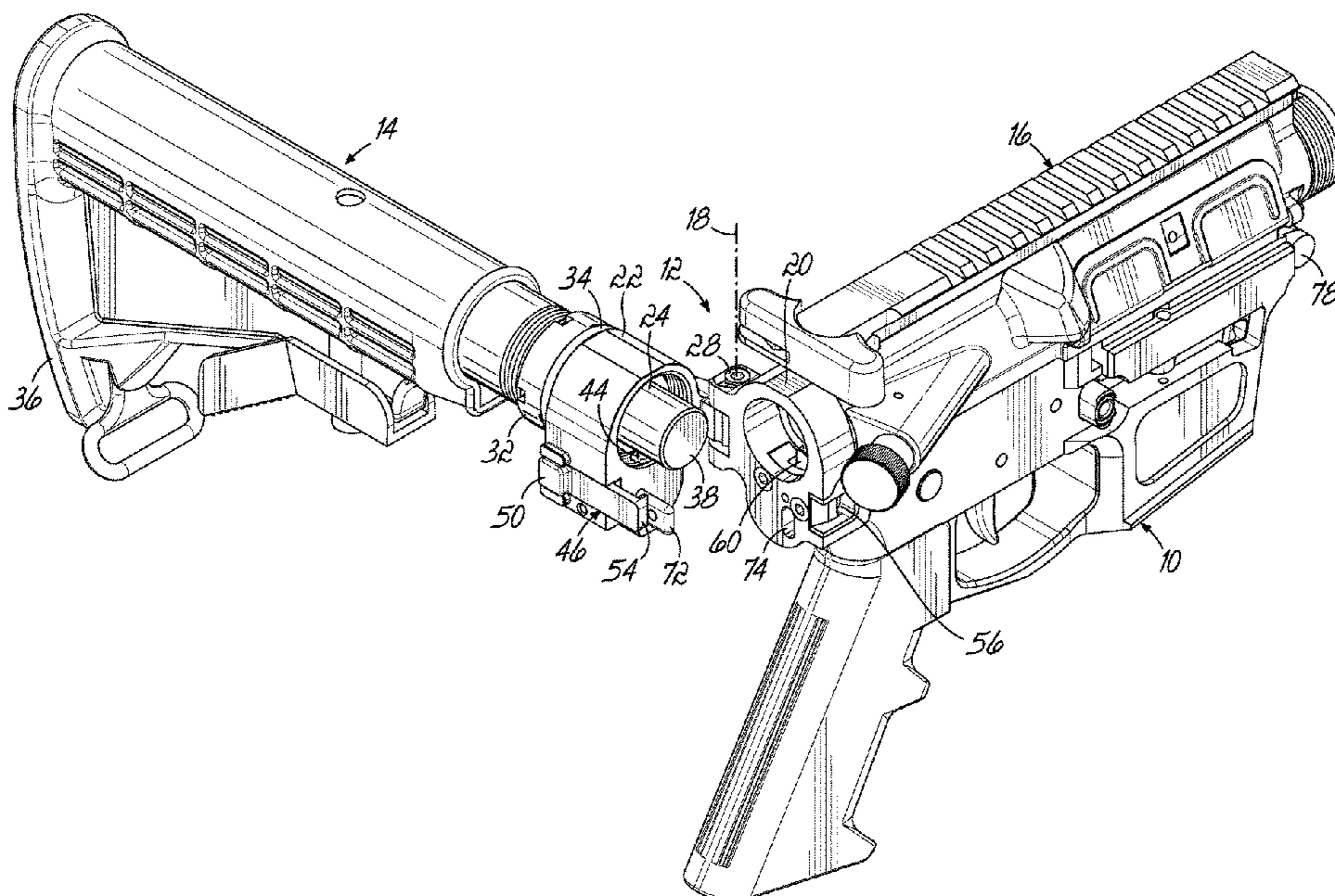
Primary Examiner — J. Woodrow Eldred

(74) *Attorney, Agent, or Firm* — Wood Herron & Evans LLP

(57) **ABSTRACT**

Provided is a firearm lower receiver configured to mate with an AR-pattern, auto-loading upper receiver assembly. The lower receiver has a body and a hinge mechanism having a fixed part integral to the lower receiver body and a moving part to which a buffer tube is mounted. The hinge is movable between an extended, operating position where the buffer tube is substantially aligned with the bolt carrier and a folded position. The fixed part includes a carrier blocking member movable between a blocking position where the blocking member prevents rearward movement of a bolt carrier in the upper receiver and a displaced position. The blocking member is spring biased toward the blocking position. A striker extends from the moving part and is configured to contact the carrier blocking member and move it against the spring bias to the displaced position when the hinge mechanism is in the extended, operating position.

4 Claims, 10 Drawing Sheets



(56)

References Cited

U.S. PATENT DOCUMENTS

2012/0137562	A1 *	6/2012	Langevin	F41C 23/14
				42/75.03
2012/0137652	A1	6/2012	Asprey et al.	
2013/0212920	A1 *	8/2013	Law	F41C 23/14
				42/75.03
2014/0190056	A1	7/2014	Troy et al.	
2015/0345895	A1	12/2015	Young	
2017/0328673	A1	11/2017	Law	

* cited by examiner

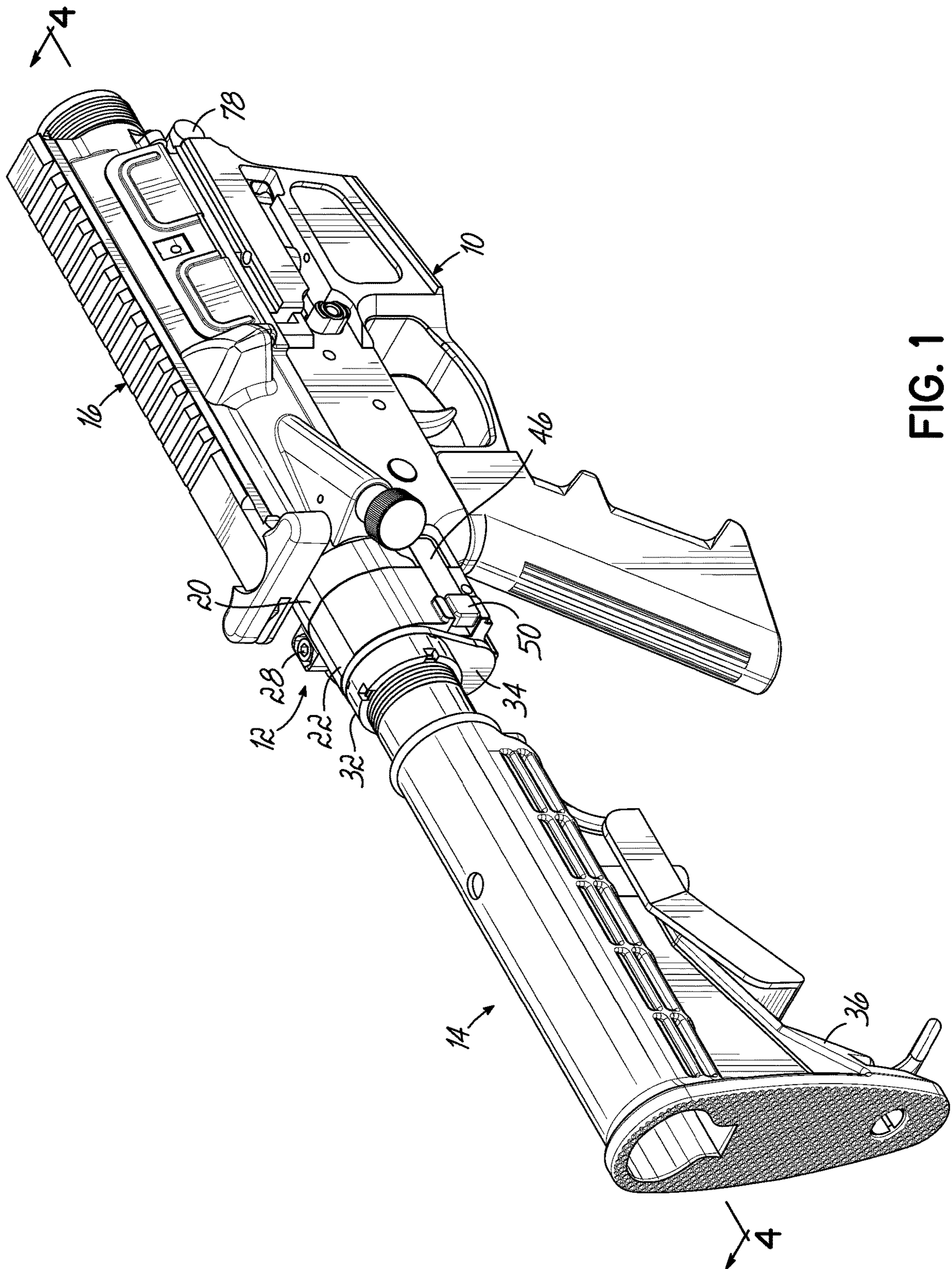


FIG. 1

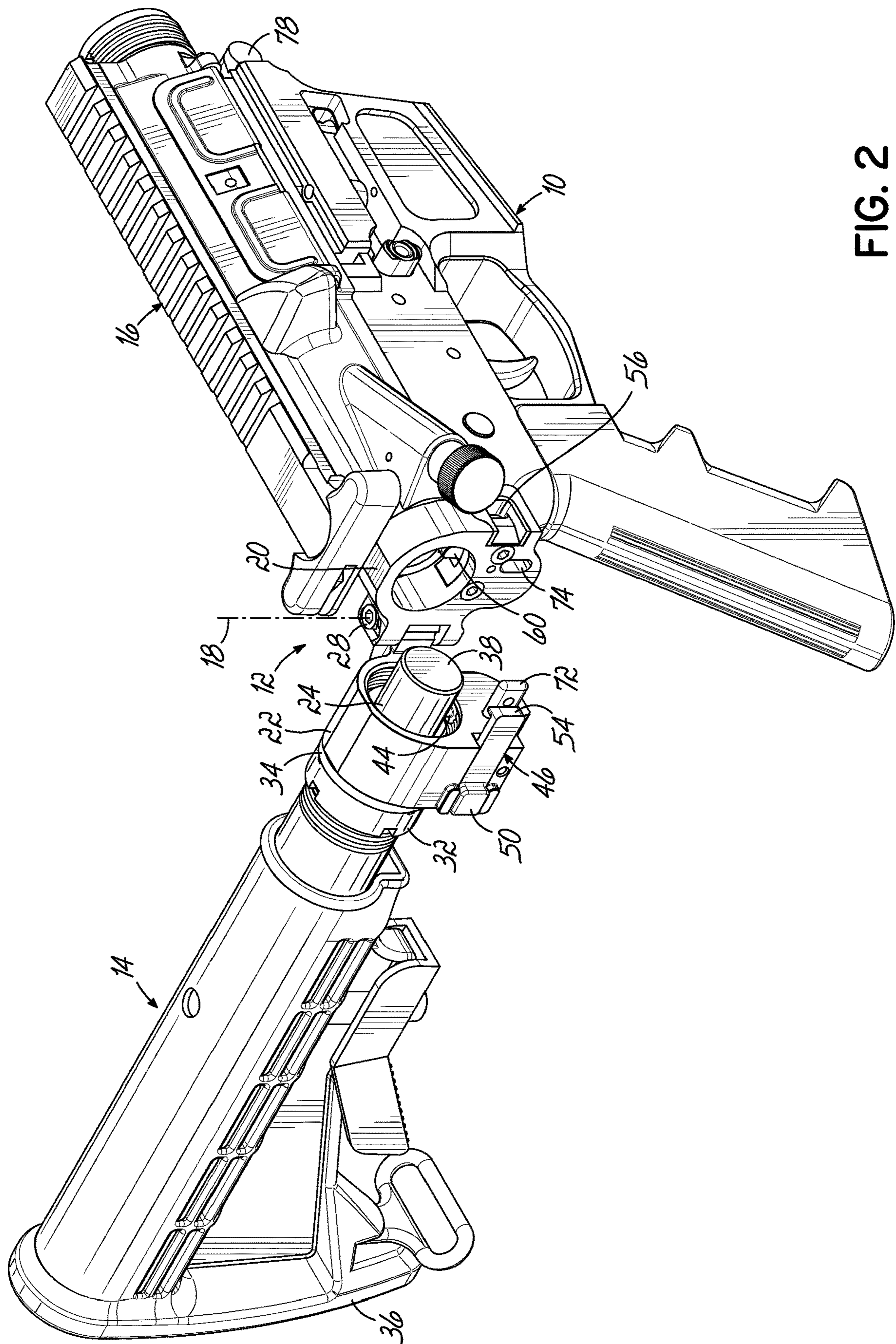


FIG. 2

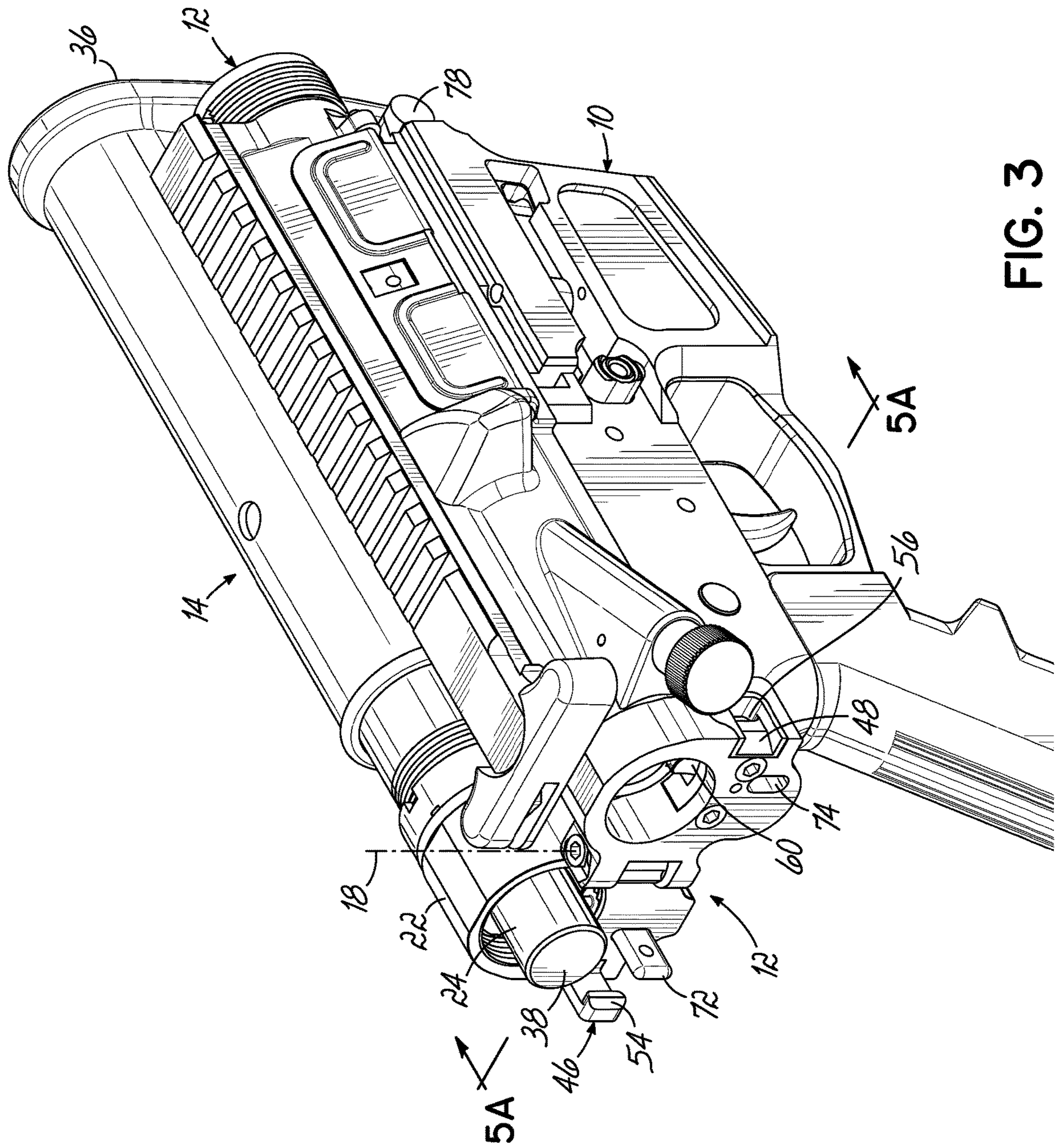


FIG. 3

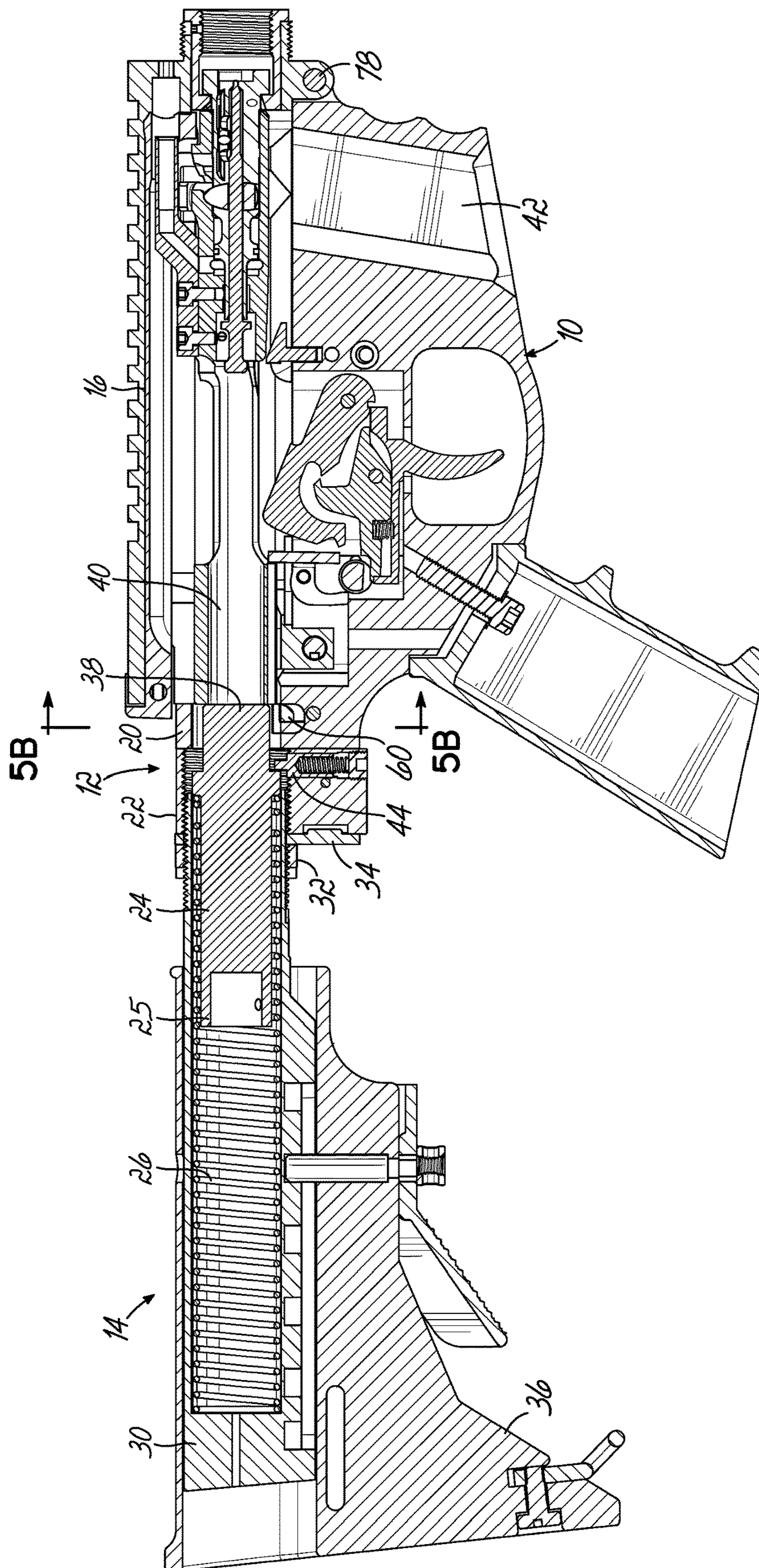


FIG. 4

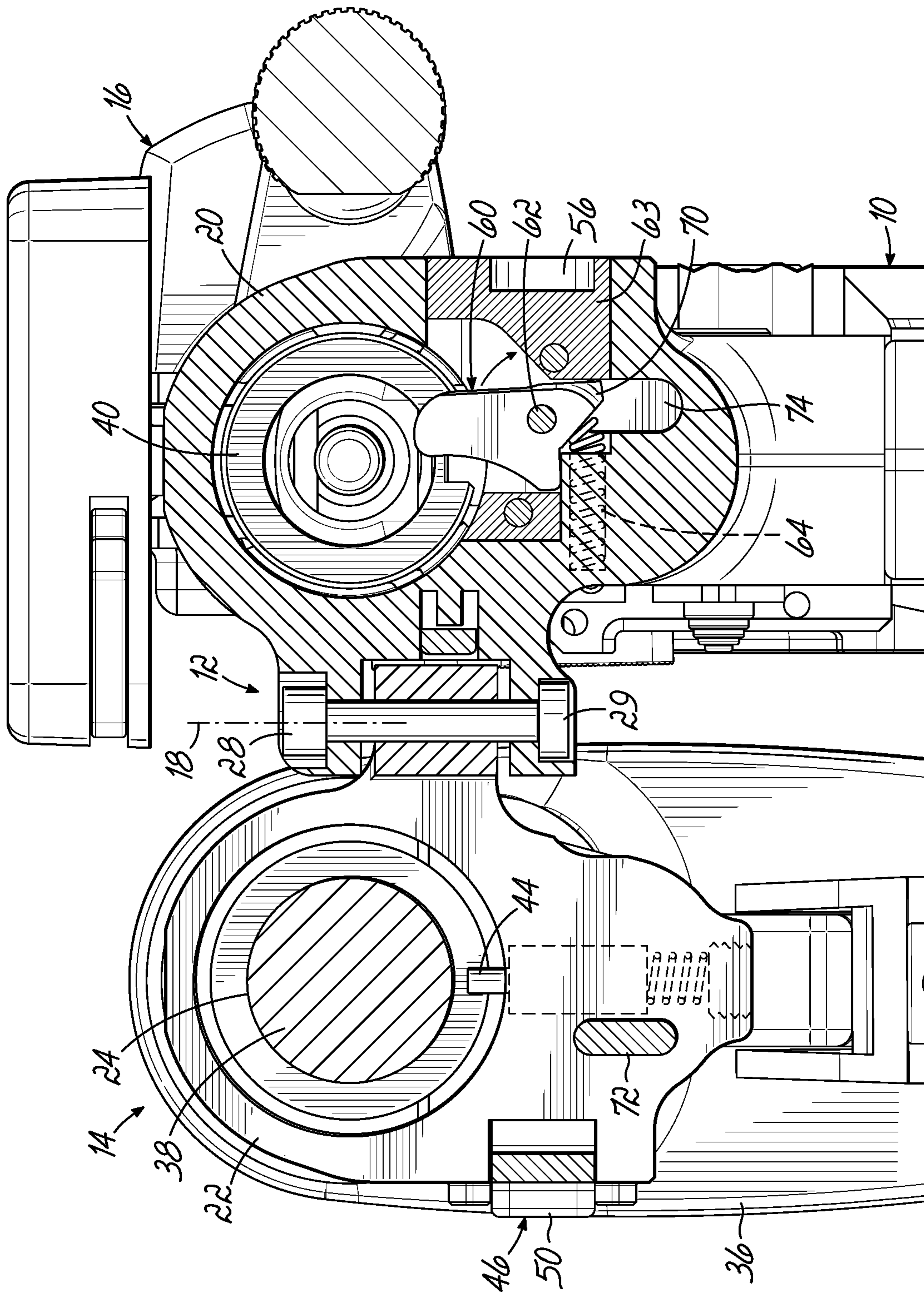


FIG. 5A

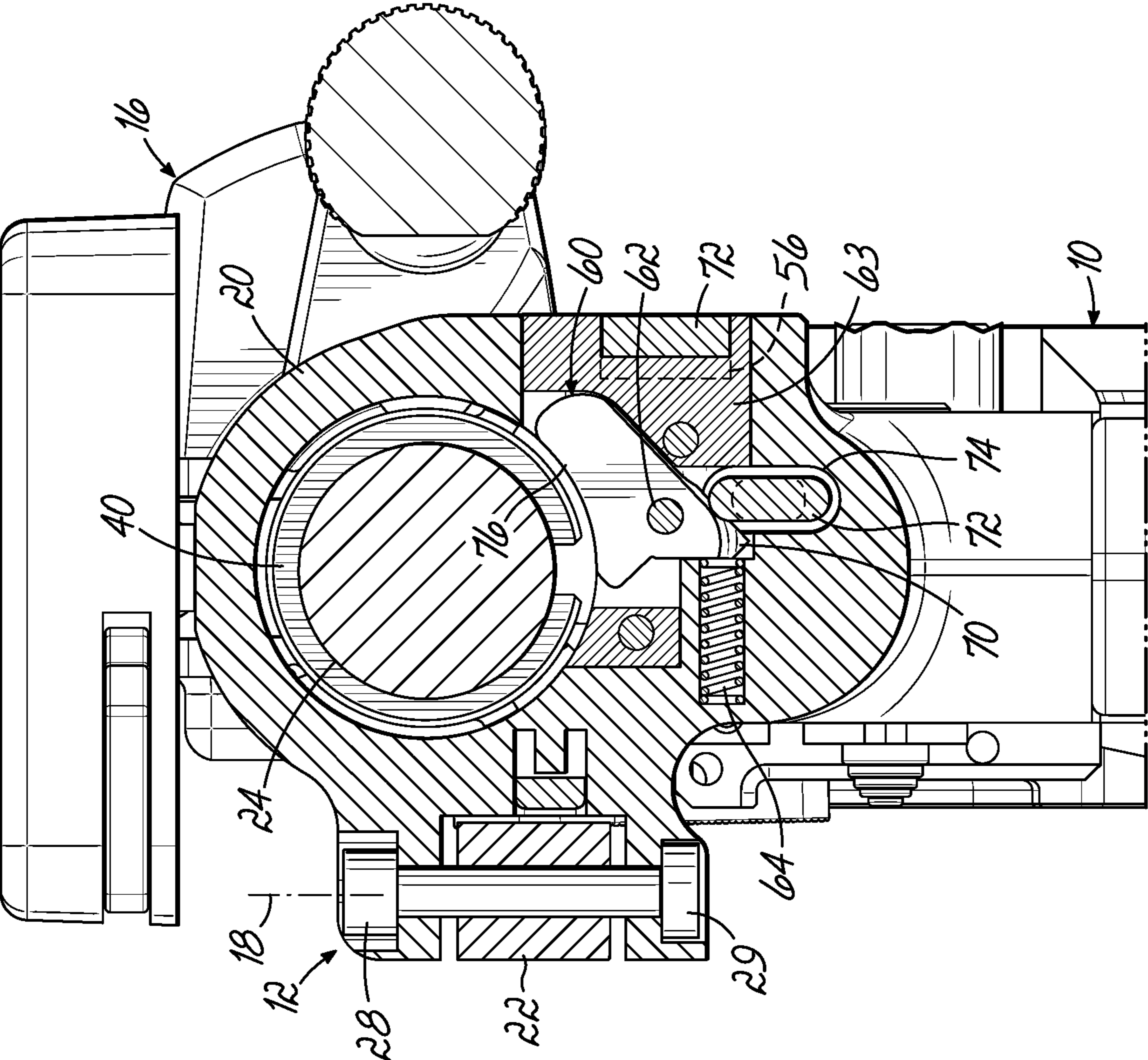


FIG. 5B

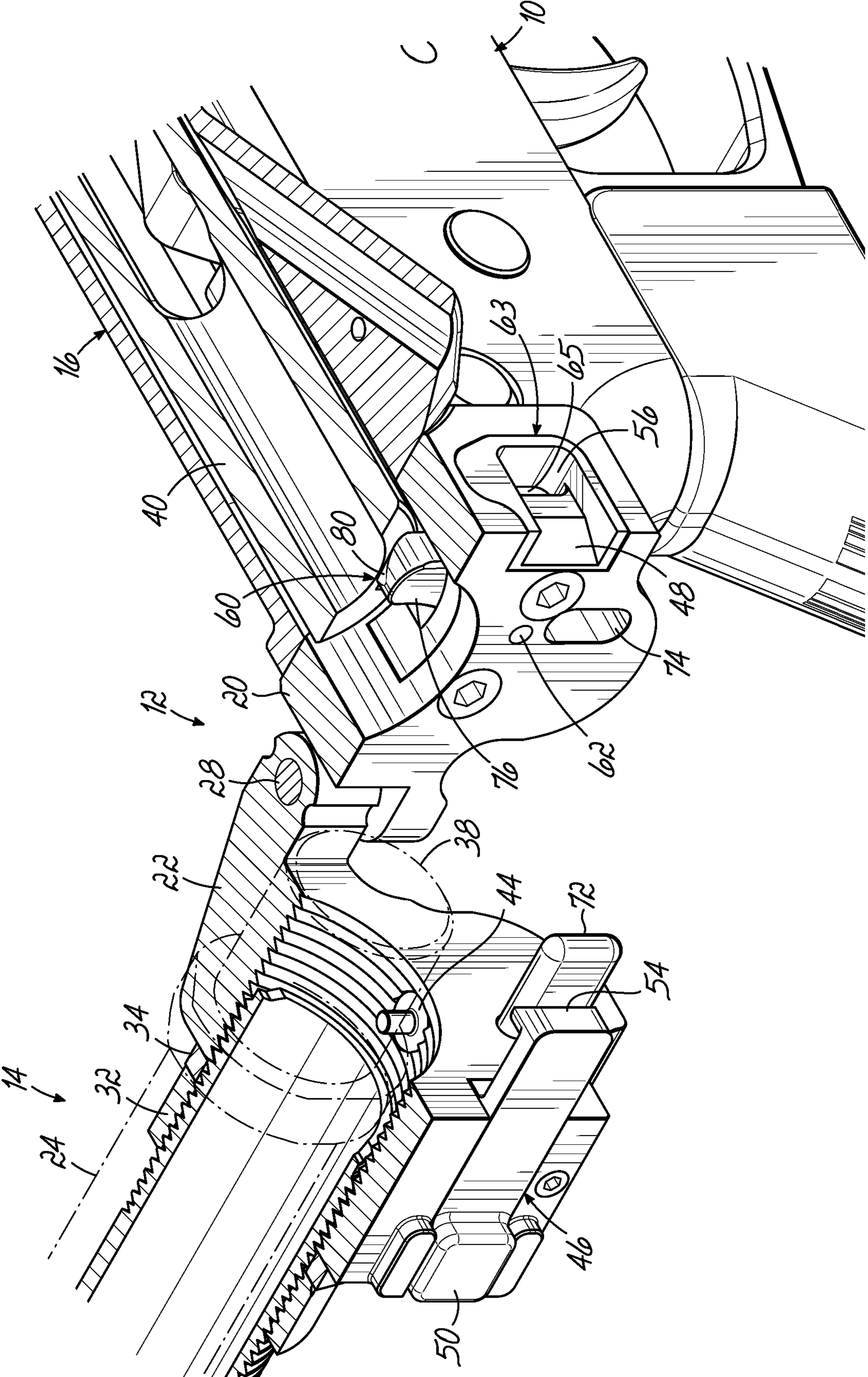


FIG. 6A

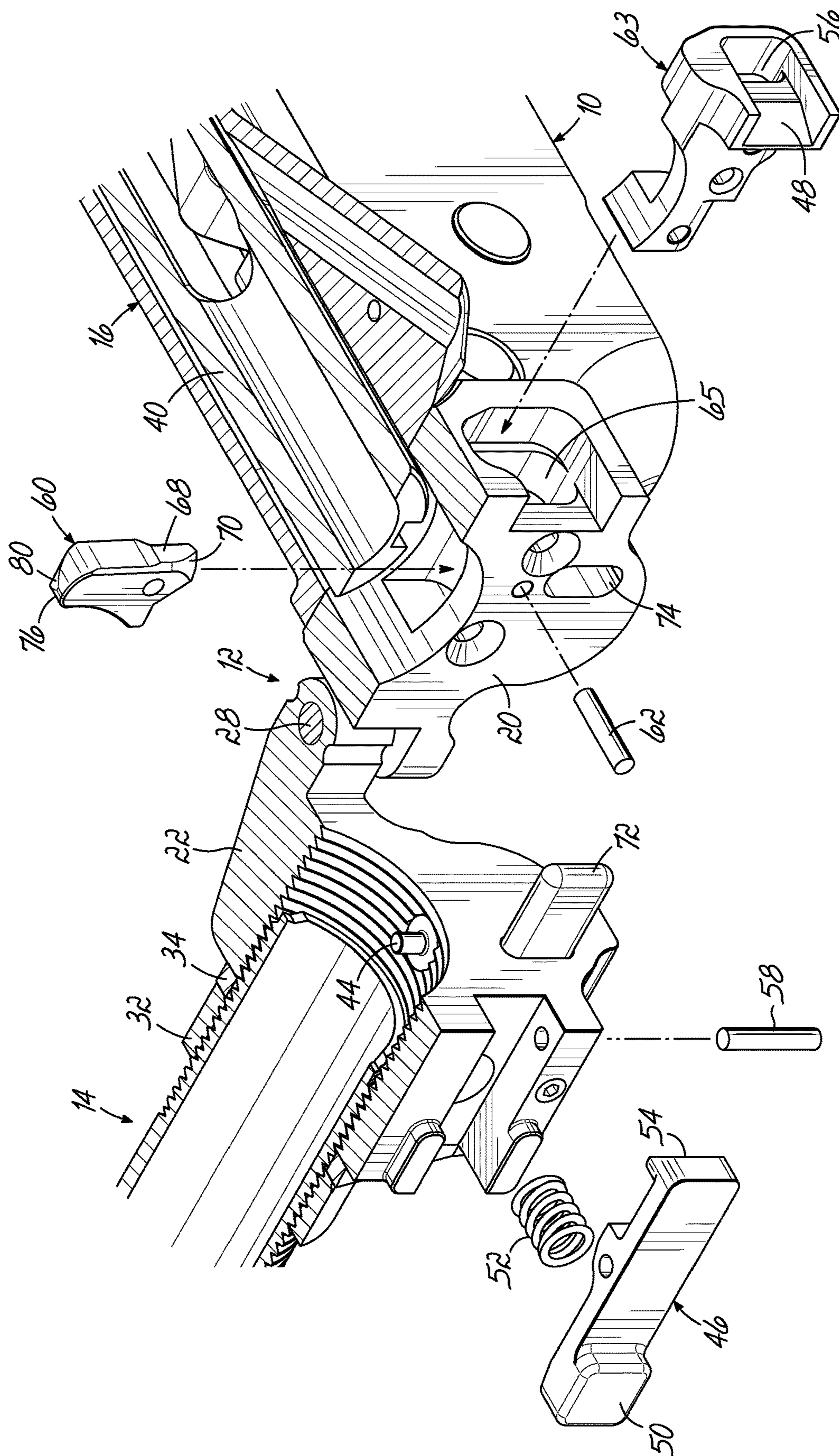


FIG. 6B

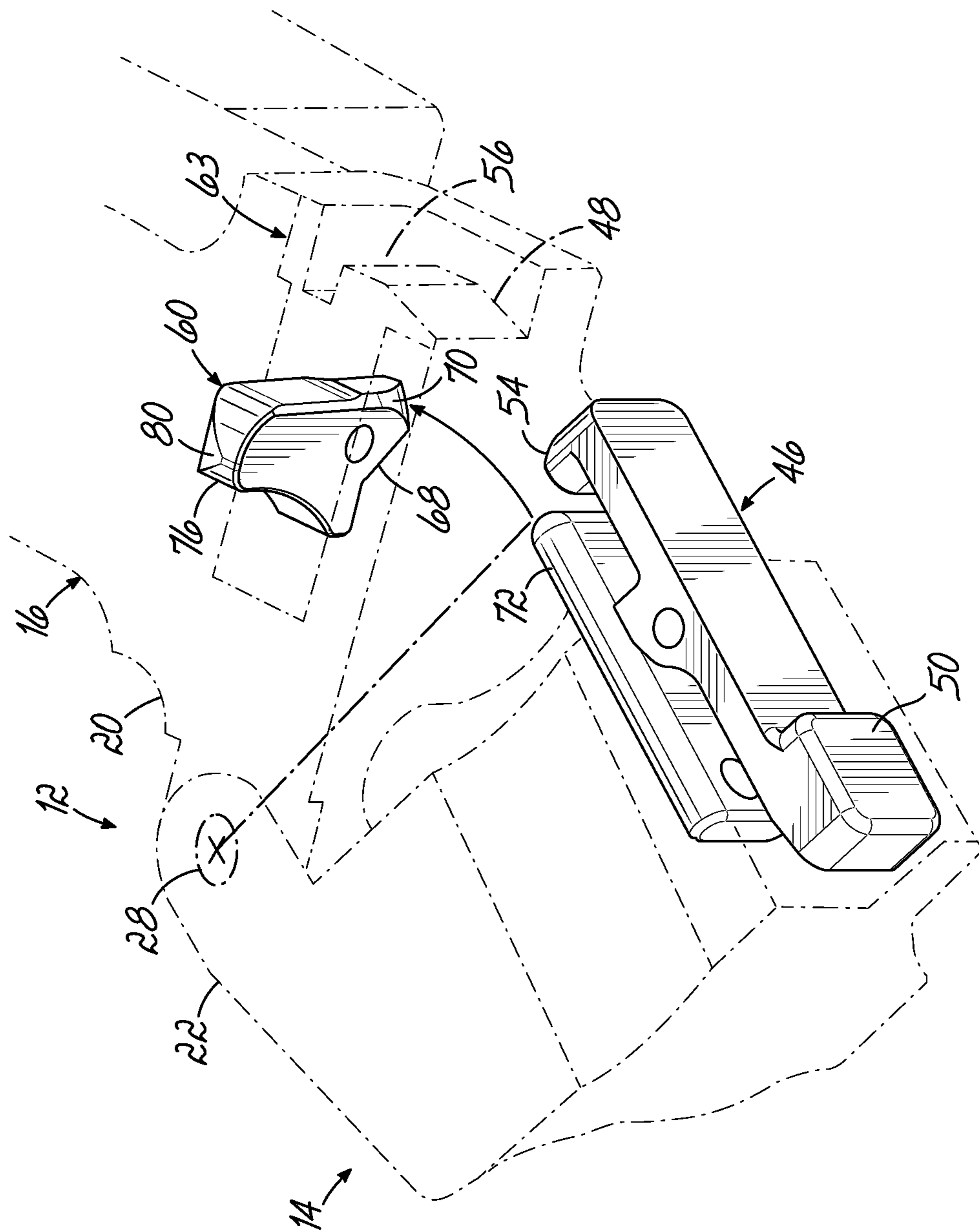


FIG. 7A

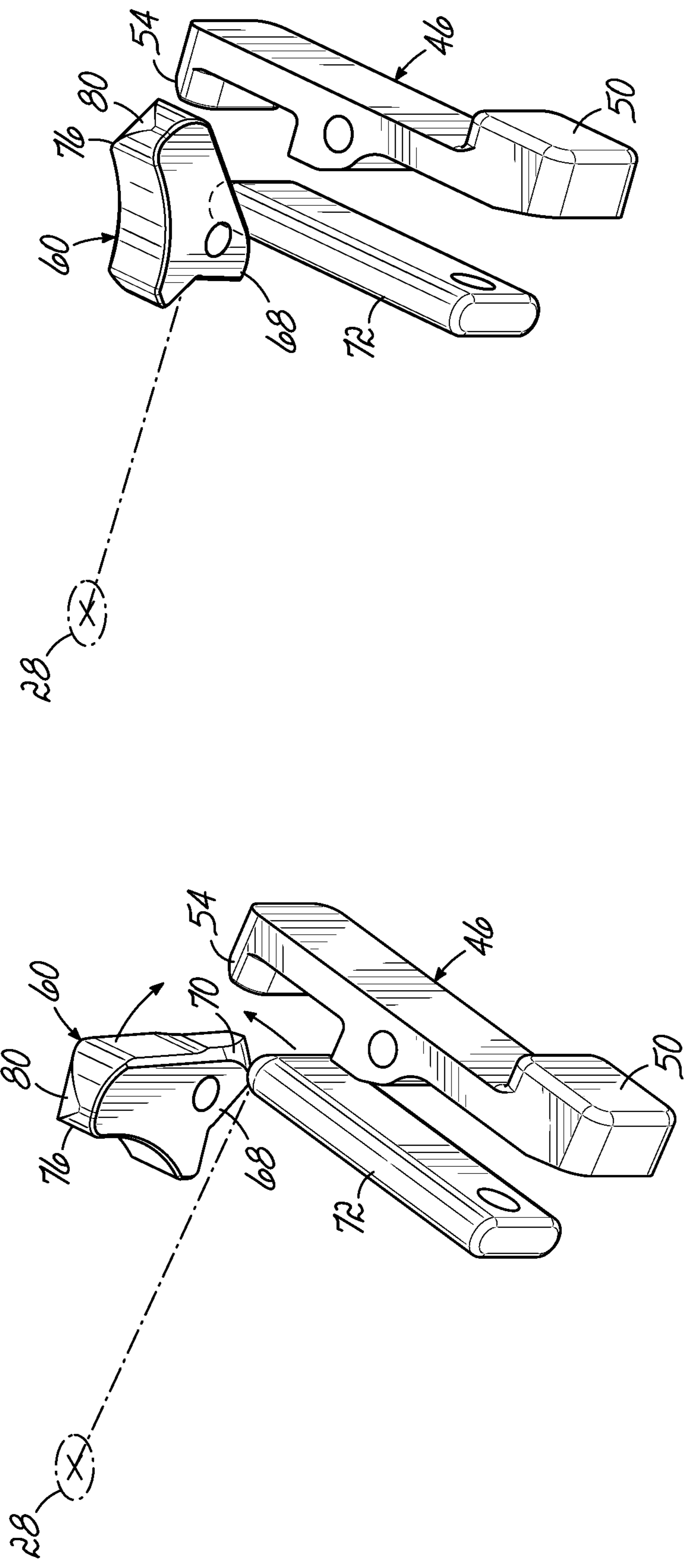


FIG. 7C

FIG. 7B

1

RECEIVER WITH INTEGRAL HINGE FOR FOLDING BUFFER EXTENSION AND BUTT STOCK ASSEMBLY

RELATED APPLICATIONS

This application claims priority to U.S. Provisional Patent Application No. 62/686,260, filed Jun. 18, 2018, and incorporates the same herein by reference.

TECHNICAL FIELD

This invention relates to a firearm receiver having an integral hinge that allows folding of the receiver extension or buffer tube/butt stock in a more compact package than provided by a separate adapter device for the same purpose.

BACKGROUND

Several spaced-saving advantages are achieved by being able to fold the butt stock of a rifle relative to its receiver and barrel. For semiautomatic and automatic rifle designs where the entire action, including the recoil spring/buffer system, is housed within the receiver, this merely requires providing a hinged attachment for the butt stock. However, in rifle designs, such as many AR-pattern firearms, where the bolt or the bolt carrier reciprocates into a receiver extension housed within or part of the butt stock where a recoil spring and/or buffer are located, this is more complicated.

Others have addressed this issue by providing a shortened receiver extension behind which the butt stock may be hinged to fold. Examples are shown in U.S. Pat. Nos. 7,966,761 and 9,347,738. This solution, however, fails to maximize the space-saving benefits of folding the butt stock. Others have used an adapter that provides a hinge with a fixed portion that is secured to the lower receiver and a pivoting portion that carries the buffer tube/butt stock assembly. Examples are shown in U.S. Pat. Nos. 8,769,855 and 8,991,088. Such adaptors add undesired weight and length to the extended butt stock.

SUMMARY OF THE INVENTION

The present invention provides a firearm receiver, such as the lower receiver of an AR-pattern rifle, with an integral hinge that allows folding of the buffer tube/butt stock assembly without significant added length or weight. Any standard upper receiver assembly, including any standard bolt carrier group, can be used without modification. Likewise, any standard buffer tube/butt stock assembly can be used, with substitution of only an inexpensive, modified recoil buffer.

A firearm lower receiver is configured to mate with an AR-pattern, auto-loading upper receiver assembly. The lower receiver includes a lower receiver body. A hinge mechanism has a fixed part integral to the lower receiver body and has a moving part to which a buffer tube is mounted. The hinge is movable between an extended, operating position where the buffer tube is substantially aligned with the bolt carrier and a folded position. The fixed part includes a carrier blocking member movable between a blocking position where the blocking member prevents rearward movement of a bolt carrier in the upper receiver and a displaced position where the blocking member does not interfere with movement of the bolt carrier, the blocking member being spring biased toward the blocking position. A striker extends from the moving part and is configured to

2

contact the carrier blocking member and move it against the spring bias to the displaced position when the hinge mechanism is in the extended, operating position.

Other aspects, features, benefits, and advantages of the present invention will become apparent to a person of skill in the art from the detailed description of various embodiments with reference to the accompanying drawing figures, all of which comprise part of the disclosure.

BRIEF DESCRIPTION OF THE DRAWINGS

Like reference numerals are used to indicate like parts throughout the various drawing figures, wherein:

FIG. 1 is an isometric view of an AR-pattern firearm receiver according to one embodiment of the present invention with the buffer tube extension in an extended position;

FIG. 2 is another isometric view thereof with the buffer tube extension in a partially folded position;

FIG. 3 is another isometric view with the buffer tube extension in a fully folded position;

FIG. 4 is a side sectional view taken substantially along line 4-4 of FIG. 1;

FIG. 5A is sectional view taken substantially along line 5A-5A of FIG. 3;

FIG. 5B is a cross-sectional view taken substantially along line 5B-5B of FIG. 4;

FIG. 6A is an enlarged, fragmentary, partially cut-away isometric view with the buffer tube extension in a partially folded position;

FIG. 6B is an exploded view thereof;

FIG. 7A is an enlarged isometric view of internal components in an unlatched position;

FIG. 7B is a similar view showing the striker and carrier blocking member partially engaged; and

FIG. 7C is a similar view showing the striker and carrier blocking member fully engaged.

DETAILED DESCRIPTION

With reference to the drawing figures, this section describes particular embodiments and their detailed construction and operation. Throughout the specification, reference to “one embodiment,” “an embodiment,” or “some embodiments” means that a particular described feature, structure, or characteristic may be included in at least one embodiment. Thus, appearances of the phrases “in one embodiment,” “in an embodiment,” or “in some embodiments” in various places throughout this specification are not necessarily all referring to the same embodiment. Furthermore, the described features, structures, and characteristics may be combined in any suitable manner in one or more embodiments. In view of the disclosure herein, those skilled in the art will recognize that the various embodiments can be practiced without one or more of the specific details or with other methods, components, materials, or the like. In some instances, well-known structures, materials, or operations are not shown or not described in detail to avoid obscuring aspects of the embodiments. “Forward” will indicate the direction of the muzzle and the direction in which projectiles are fired, while “rearward” will indicate the opposite direction. “Lateral” or “transverse” indicates a side-to-side direction generally perpendicular to the axis of the barrel. Although firearms may be used in any orientation, “left” and “right” will generally indicate the sides according to the user’s orientation, “top” or “up” will be the upward direction when the firearm is gripped in the ordinary manner.

An AR-pattern firearm is an auto-loading weapon system in common use that uses a receiver extension to house a buffer/recoil spring. An AR-pattern lower receiver will mate with an AR-pattern upper receiver assembly according to standard specifications. Thus, an AR-pattern lower receiver, adapted according to an embodiment of the present invention, is illustrated and described herein. Referring first to FIGS. 1-3, therein is shown an AR-pattern firearm lower receiver **10** according to an embodiment of the present invention. As used herein, an "AR-pattern" lower receiver is inclusive of any of the family of AR15, AR10, M16, M4, and other variants, including pistol caliber carbines. An AR-pattern lower receiver can interchangeably accept upper receiver assemblies of multiple calibers and types. Likewise, the AR-pattern upper receiver may accept and use gas-operated bolt carrier assemblies that may be either direct impingement or gas piston, and blow-back bolts or bolt carrier assemblies (particularly in the case of pistol-caliber carbines). In the illustrated embodiment, the lower receiver **10** maintains this modularity and ability to accept various types and calibers of upper receiver assemblies.

The lower receiver **10** includes a novel integral hinge **12** that allows the buffer tube/butt stock assembly **14** to be folded to the side relative to the lower receiver **10** and upper receiver **16**. As illustrated in FIGS. 2 and 3, the hinge **12** pivots about a substantially vertical pivot axis **18** which may be off-set laterally to either side relative to the upper and lower receivers **10**, **16**. In the illustrated embodiment, the axis **18** is off-set to the left and the hinge **12** folds to the left. The hinge **12** includes a first portion **20** integral to the lower receiver **10** that houses a latching feature and a bolt carrier blocking feature (both described in greater detail below). The longitudinal dimension (along an axis substantially parallel to the barrel and direction of reciprocation of the action) of the first portion **20** is kept to a minimum to minimize the overall folded length. A second portion **22** of the hinge **12** carries the buffer tube/butt stock assembly **14**, along with a buffer **24** and recoil spring **26** housed therein. The first and second portions **20**, **22** of the hinge **12** are pivotally connected together at a knuckle, such as by a pivot pin **28** that may be secured by a threaded engagement (not shown) in the first portion **20** or a nut **29**. As shown, the pivot axis **18** may be positioned axially forward relative to the interface between the first portion **20** and second portion **22** to minimize the overall length when folded.

Referring now also to FIG. 4, the buffer tube/butt stock assembly **14** includes an otherwise ordinary receiver extension or buffer tube **30** that is attached by threaded engagement to the second portion **22** of the hinge **12** using a castle nut **32** and an end plate **34** (in the common and well-known manner). In the illustrated embodiment, an adjustable (telescoping) butt stock **36** is mounted to the buffer tube **30**. The particular type of butt stock is not important to the present invention and can be fixed or eliminated entirely (for a pistol arm brace configuration).

The buffer **24** includes a forward extension portion **38**, but it is otherwise ordinary in its design and construction to provide a moving mass that compresses the recoil spring **26** within the buffer tube **30** when the bolt carrier **40** (housed within the upper receiver **16**) reciprocates to the rear during cycling of the action. The buffer **24** may include a resilient end cap **25** and internal chamber to house selected weights (not shown). Referring specifically to FIGS. 4, 5A, 6A, and 6B, the second portion **22** of the hinge **12** also includes a spring-biased buffer-retaining detent **44**, which functions like that found in a standard AR-pattern lower receiver, but

it is located in the pivoting second portion **22** of the hinge **12** in this embodiment of the present invention.

The lower receiver **10** houses a fire control group (shown in FIG. 4) and a magazine well **42** configured to receive an ammunition magazine. The illustrated magazine well **42** is adapted to receive a pistol caliber ammunition magazine, but it may be configured to receive the common AR15 (5.56 mm, 300BLK) or a AR10 (7.62 mm) ammunition magazines.

Referring now in particular to FIGS. 5A-B, 6A-B, and 7A-B, the illustrated embodiment includes an automatic latching mechanism and an automatic bolt carrier retention mechanism, each of which are described below. In the illustrated embodiment, the automatic latch mechanism includes a latch lever **46** which is pivotally mounted on and extends from the second portion **22** of the hinge **12** toward the first portion **20** and, when moved to the closed position, it is deflected against the force of a spring **52** by a cam surface **48** in the first portion **20** of the hinge **12** and a pawl **54** is biased by the spring to latch into a latch socket **56**. The latch lever **46** pivots on a pin **58** and includes a release button **50** that, when pressed, pivots the lever **46** to disengage the pawl **54** from the latch socket **56** on the first portion **20**.

The first portion **20** of the hinge **12** also carries a pivotally mounted bolt carrier blocking member **60**, which retains the bolt carrier **40** in place when the hinge **12** is unlatched in a partially or fully open/folded position. The blocking member **60** pivots on a pin **62** carried by the first portion **20** and an assembly frame **63**. The assembly frame **63** can be a separate piece (as shown) that fits into a socket **65** in the first portion **20** for ease of manufacture and assembly. The blocking member can swing, for example, about 45° of rotation between a blocking position (FIGS. 2, 3, 5A, 6A, 7A, and 7B), when the hinge **12** is open, and a displaced position (FIGS. 5B and 7C), when the hinge is completely closed.

Referring now also to FIGS. 7A-C, the blocking member **60** acts as a swing arm with a lower portion **68** being biased by a spring **64** toward the blocking position. A striker **72** in the form of a tongue or blade carried by the second portion **22** passes into a socket **74** in the first portion **20** and the assembly frame **63** to contact a chamfered edge **70** that provides a cam surface on the lower portion **68** of the carrier blocking member **60**. When displaced by the striker **72**, an upper portion **76** swings (against the bias of the spring **64**) to the displaced position (FIGS. 5B and 7C) into a cavity **66** formed in the first portion **20** and assembly frame **63**. The upper portion **76** of the blocking member **60** may be configured to assure clearance by the bolt carrier **40** when the hinge **12** is latched and the bolt carrier **40** cycles against the buffer **24** and recoil spring **26**.

Referring now in particular to FIGS. 7A-C, therein is shown in isolation the striker **72** and bolt carrier blocking member **60** in a series of positions. FIG. 7C shows the striker **72** seated in the socket **74** and displacing the blocking member **60**. The striker **72** has confronted the chamfered edge **70** of the lower end **68** of the bolt carrier blocking member **60** to rotate it about the pivot pin **62** to its displaced position.

As shown in FIGS. 2, 3, 5A, 6A, 7A, and 7B, when the hinge **12** is in a partially or fully folded position, the bolt carrier **40** is blocked in place in the upper receiver **16** by the blocking member **60** and the buffer **24** is retained in the buffer tube **30** against the recoil spring **26** by the spring-biased buffer retaining detent **44**. When the hinge **12** is closed/latched in position to fully extend the buffer tube/butt

5

stock assembly **14** (FIGS. **1**, **4**, and **5B**), the bolt carrier **40** is free to reciprocate rearwardly against the extension portion **38** of the buffer **24**, compressing the recoil spring **26** within the buffer tube **30**. As is well-known in the art, the standard bolt carrier **40** includes a slot **72** in the lower edge of its rear portion that allows it to pass unimpeded over the buffer retaining detent **44**. The extension portion **38** of the buffer **24** compensates for the slight increase in spacing without modification of the bolt carrier **40**. As is well-known in the art, the upper receiver **16** an AR-pattern firearm can be partially detached from the lower receiver **10** on a pivot assembly pin **78**. As the receivers **10**, **16** are pivoted together, if the bolt carrier **40** is slightly rearwardly displaced, it could contact the carrier blocking member **60**. In order to guide the parts together into place, a forward surface of the upper portion **76** of the blocking member **60** could be formed with a cam surface **80**.

To unlatch and fold the buffer tube/butt stock assembly **14**, the user presses on the release button **50** of the latch lever **46**, pivoting the latch lever **46** against the bias of the spring **52**. This displaces the pawl **54** from the latch socket **56** and allows the second portion **22** of the hinge and the buffer tube/butt stock assembly **14** to swing away from the first portion **20** at the substantially vertical pivot axis **18**. If desired, the pivot axis **18** may be skewed to cause the buffer tube/butt stock assembly **14** to angle downward slightly when folded so as to avoid interfering with controls on the receivers **10**, **16**. As the striker **72** withdraws from the socket **74** a minimal distance, the carrier blocking member is biased by the spring **64** to pivot to the blocking position.

To close/extend the buffer tube/butt stock assembly **14**, it is swung toward the closed position manually. As it nears the fully extended position (FIGS. **7A** and **7B**), the striker **72** enters the socket **74** and approaches contact with the chamfered edge **70** of the lower portion **68** of the carrier blocking member **60**. At about the same time, the pawl **54** of the latch lever **46** contacts the cam surface **48**, causing the lever **46** to pivot on its pivot pin **58** against the spring **52**. When the hinge **12** is fully closed, the striker rotates the carrier blocking member **60** to the displaced position (FIG. **7C**) and the pawl **54** of the latch lever **46** snaps into the latch socket **56**, locking the hinge **12** in the closed position.

Accordingly, the hinge **12** of the present invention allows the buffer tube/butt stock assembly **14** to be quickly and easily folded by depressing a single release button **50**. The bolt carrier **40** is automatically and securely retained within the receiver **10**, **16**, and the buffer **24** is automatically retained within the buffer tube **30**. By simply swinging the buffer tube/butt stock assembly **14** back to the extended position, the hinge **12** is automatically latched in the closed position and the bolt carrier **40** automatically freed to reciprocate rearwardly into the receiver extension (buffer tube **30**).

6

While one or more embodiments of the present invention have been described in detail, it should be apparent that modifications and variations thereto are possible, all of which fall within the true spirit and scope of the invention. Therefore, the foregoing is intended only to be illustrative of the principles of the invention. Further, since numerous modifications and changes will readily occur to those skilled in the art, it is not intended to limit the invention to the exact construction and operation shown and described. Accordingly, all suitable modifications and equivalents may be included and considered to fall within the scope of the invention, defined by the following claim or claims.

What is claimed is:

1. A firearm lower receiver configured to mate with an AR-pattern, auto-loading upper receiver assembly, comprising:

a lower receiver body; and

a hinge mechanism having a fixed part integral to the lower receiver body and having a moving part to which a buffer tube is mounted, the hinge movable between an extended, operating position where the buffer tube is substantially aligned with the bolt carrier and a folded position;

the fixed part including a carrier blocking member movable between a blocking position where the blocking member prevents rearward movement of a bolt carrier in the upper receiver and a displaced position where the blocking member does not interfere with movement of the bolt carrier, the blocking member being spring biased toward the blocking position;

a striker extending from the moving part and configured to contact the carrier blocking member and move it against the spring bias to the displaced position when the hinge mechanism is in the extended, operating position.

2. The firearm lower receiver of claim 1, wherein the buffer tube includes a recoil spring and recoil buffer, the recoil buffer including an extension portion configured to engage the bolt carrier when the hinge is in the extended, operating position.

3. The firearm lower receiver of claim 1, wherein the hinge mechanism further comprises a spring latch that automatically engages when the hinge is in the extended, operating position and that may be manually displaced to disengage the spring latch and allow movement to the folded position.

4. The firearm lower receiver of claim 1, wherein the buffer tube includes a recoil spring and recoil buffer and the moving part includes a recoil buffer detent to prevent forward movement of the buffer when the hinge mechanism is in the extended, operating position.

* * * * *